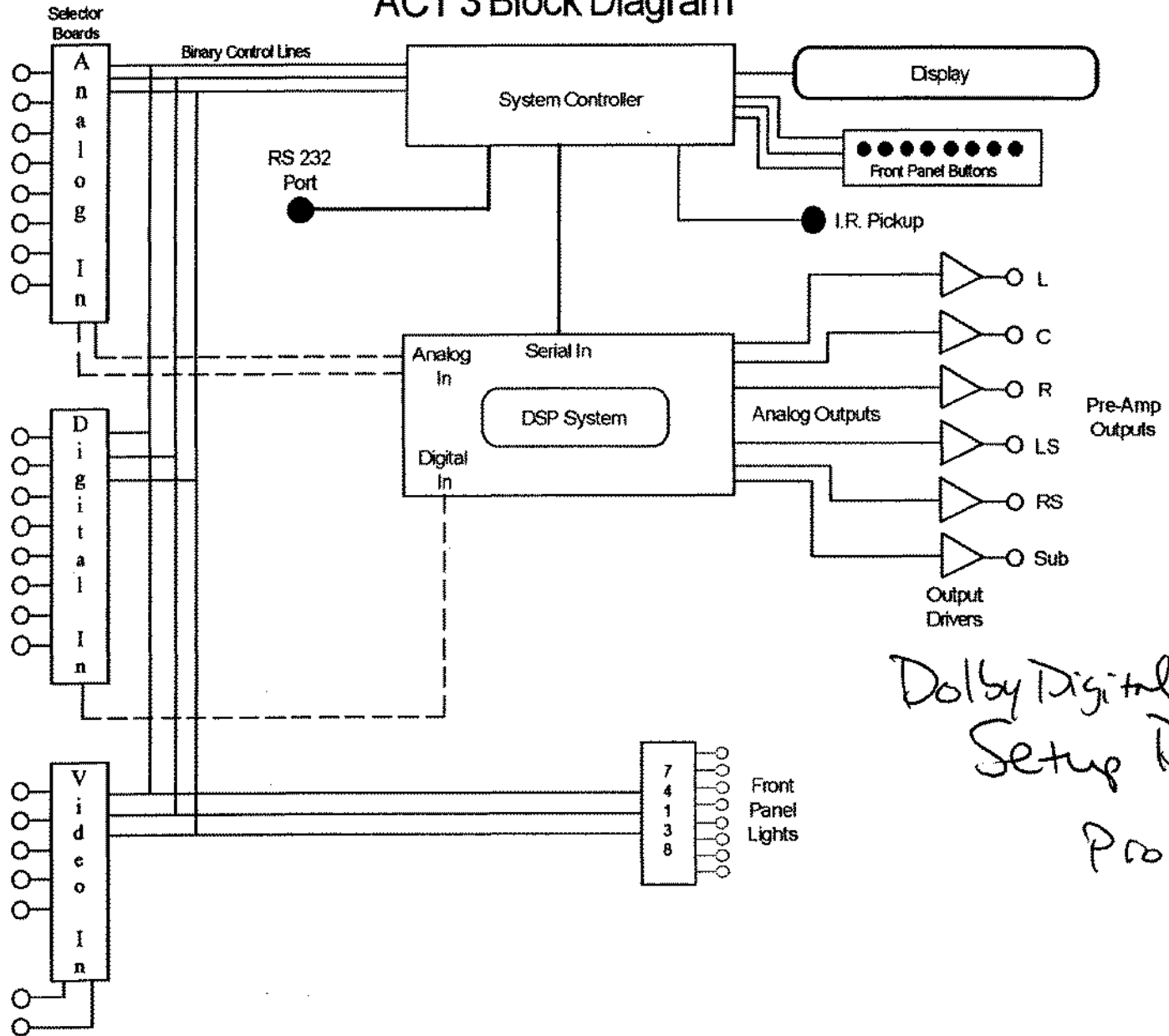

MONDIAL Designs

accurus act 3

Digital Surround Processor

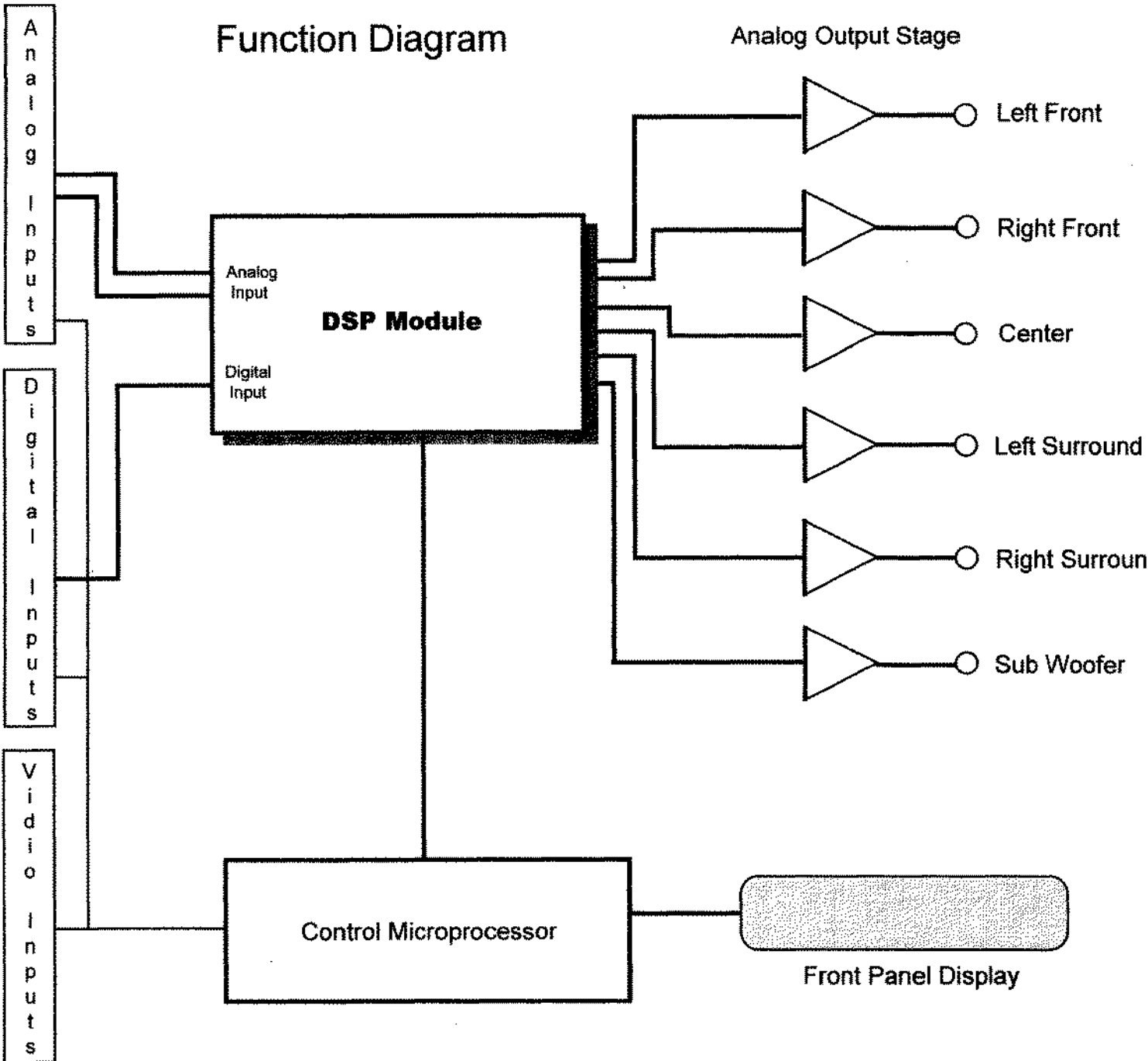
ACT 3 Block Diagram



*Dolby Digital
Setup Disc
Pro-logic?*

Function Diagram

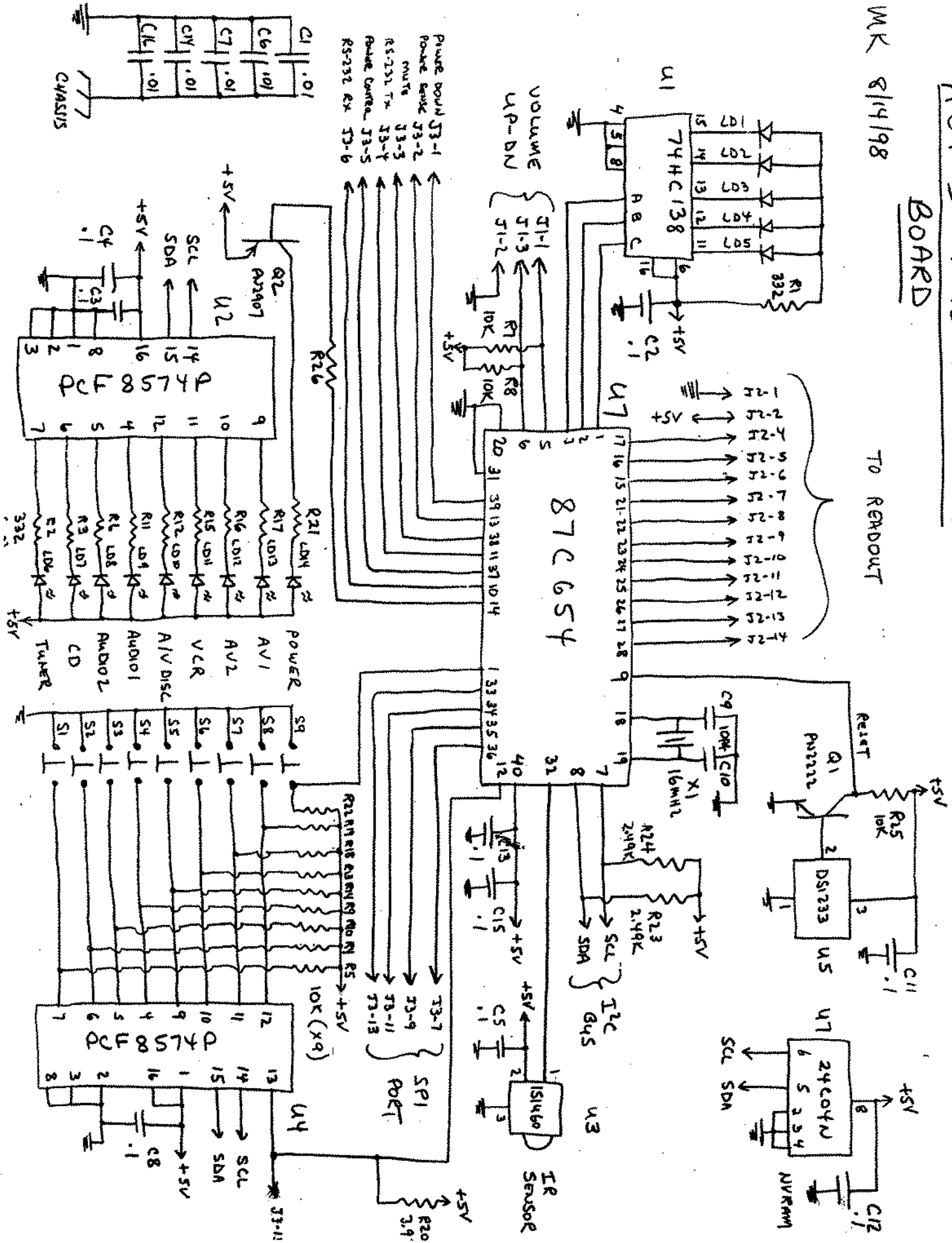
Analog Output Stage



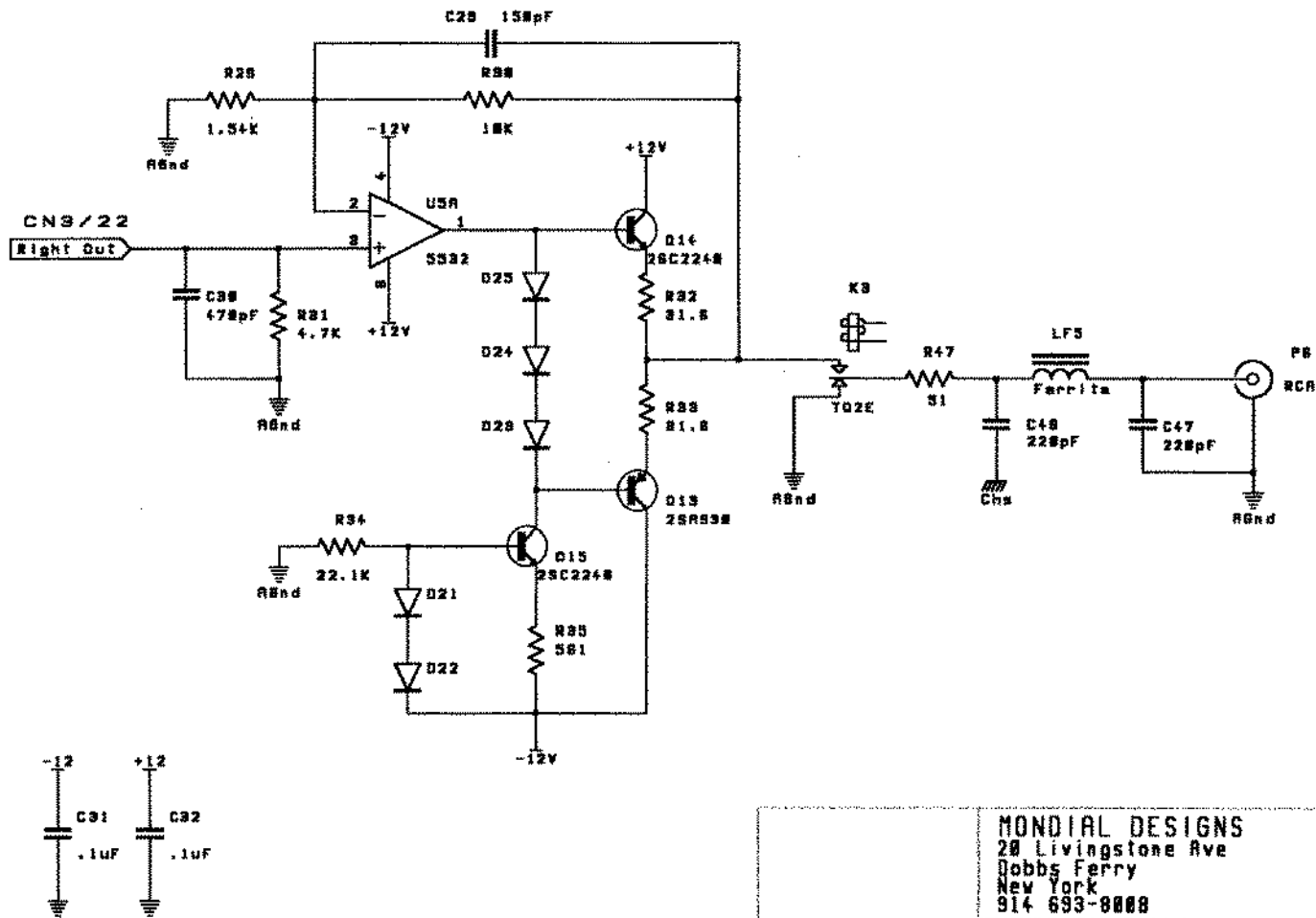
ACT-3 FRONT PANEL BOARD

WRK 8/14/98

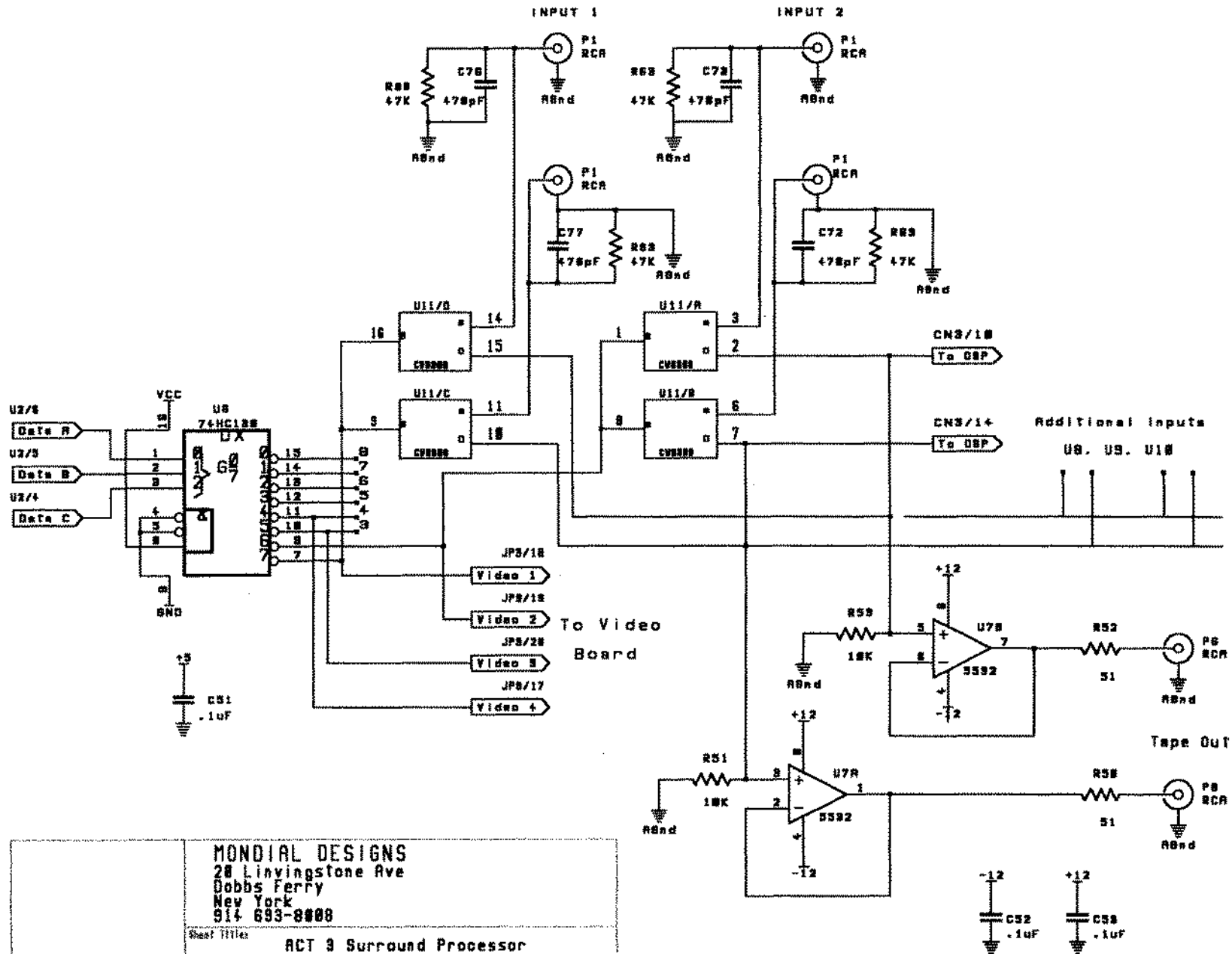
TO REAROUT



AUDIO OUTPUT STAGE
FRONT RIGHT CHANNEL



MONDIAL DESIGNS 20 Livingstone Ave Dobbs Ferry New York 914 693-8000			
Sheet Title: ACT3 Surround Processor			
Sheet File Name: act3a-5.sch	Sheet: A	Process: Number: Right Channel Output	Rev.: 1B
Sheet Creation Date: 12/18/97	Modification Date: 12/29/97	SHEET 5 OF 6	



MONDIAL DESIGNS
 28 Livingston Ave
 Dobbs Ferry
 New York
 914 693-8000

Sheet Title: ACT 3 Surround Processor

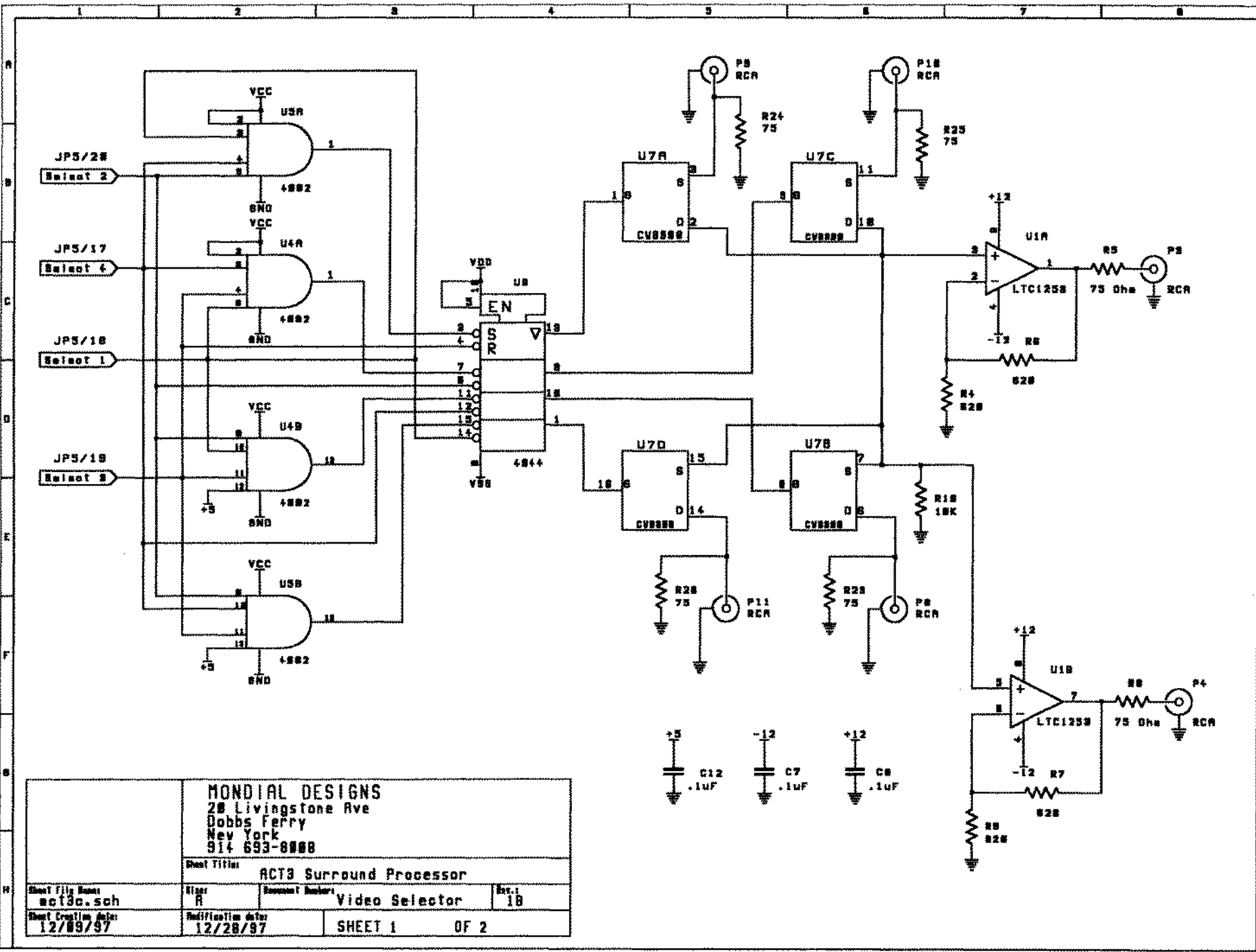
Sheet File Name: act3a's.sch

Sheet: A Project: Bobbers ANALOG INPUT SELECTOR Rev. 1B

Sheet Creation Date: 12/10/87

Modification Date: 12/28/87

SHEET 1 OF 1

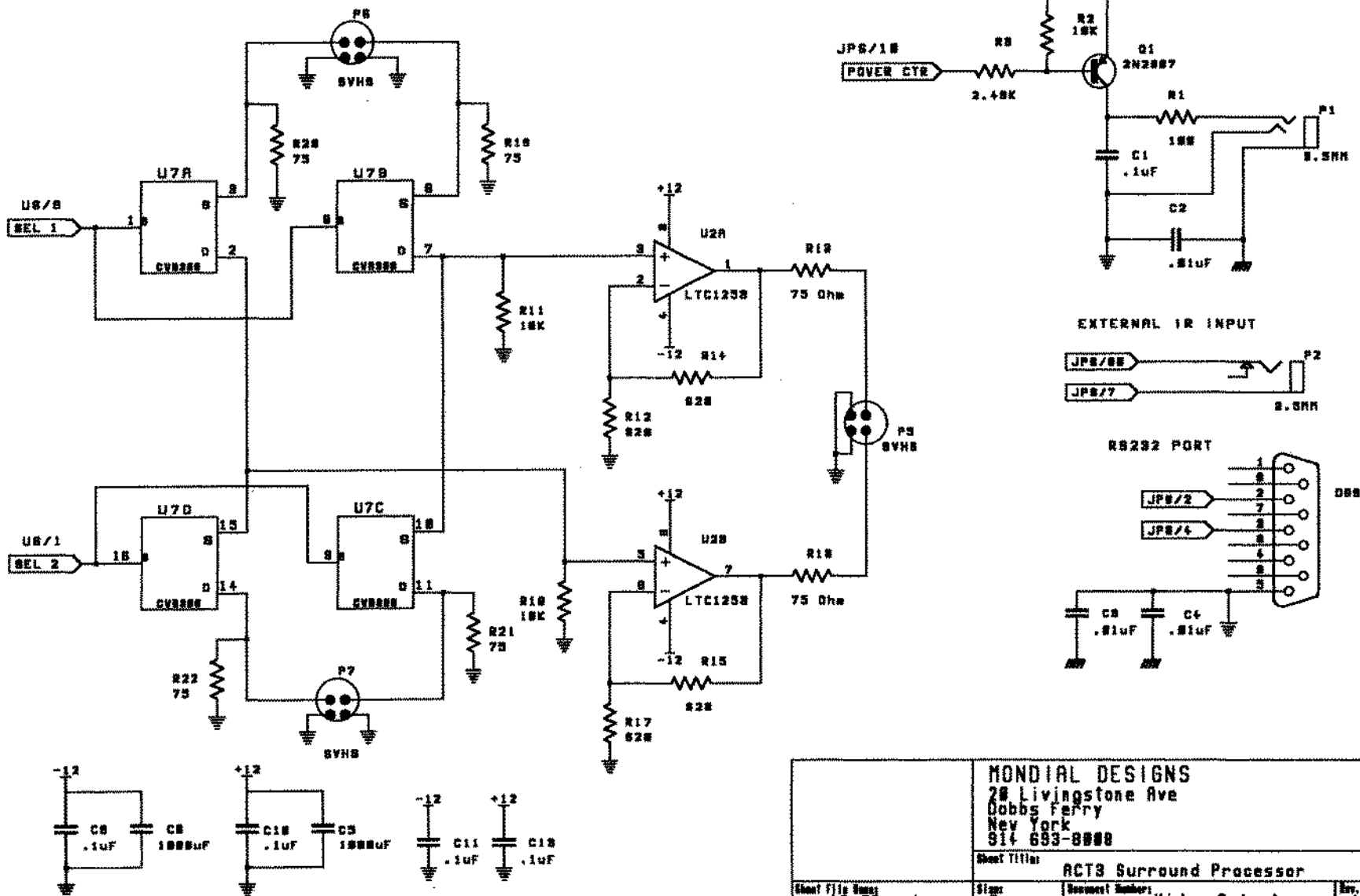


MONDIAL DESIGNS
 28 Livingstone Ave
 Dobbs Ferry
 New York
 914 693-8008

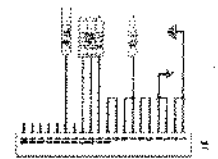
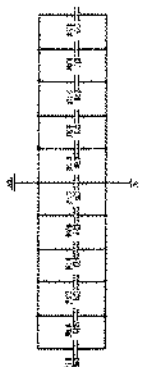
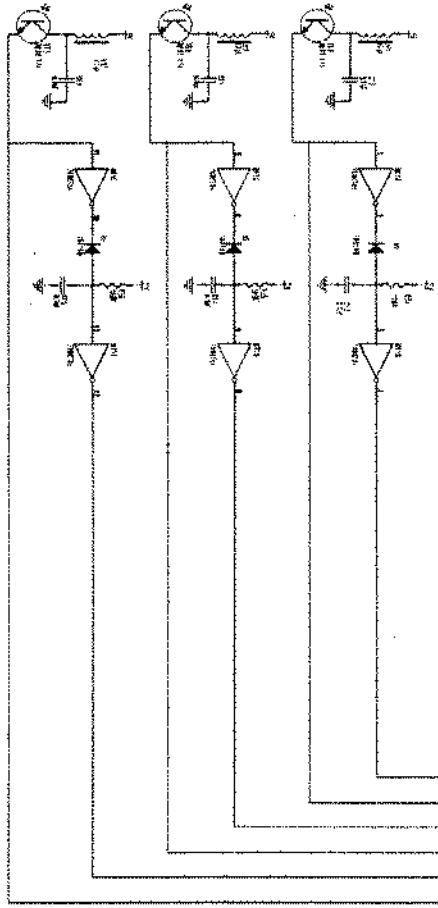
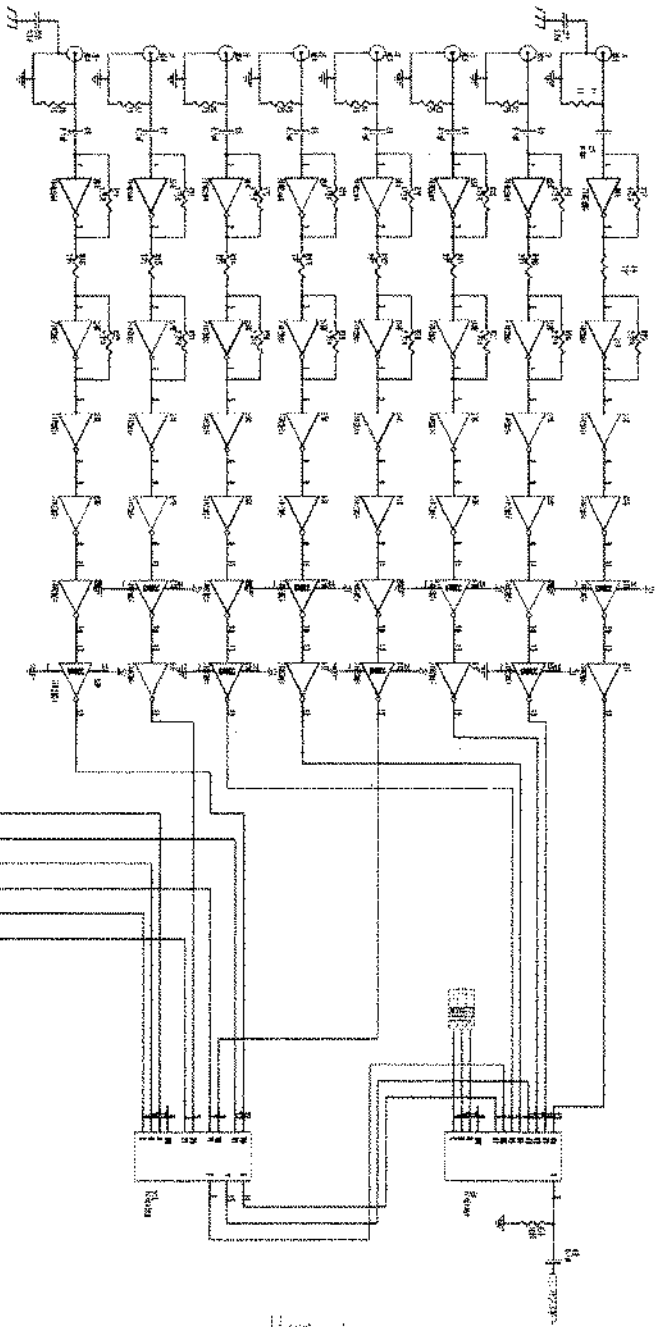
Sheet Title: ACT3 Surround Processor			
Sheet File Name: act3c.sch	Rev: A	Document Number: Video Selector	Rev. 1 1B
Sheet Creation Date: 12/09/97	Modification Date: 12/28/97	SHEET 1 OF 2	

SVHS SELECTOR

EXTERNAL POWER CONTROL

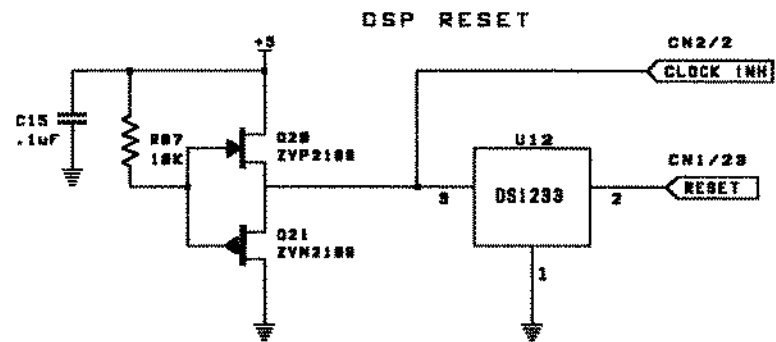
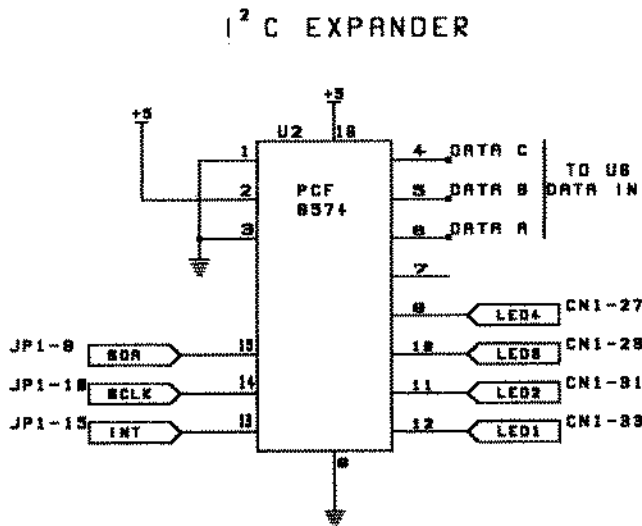
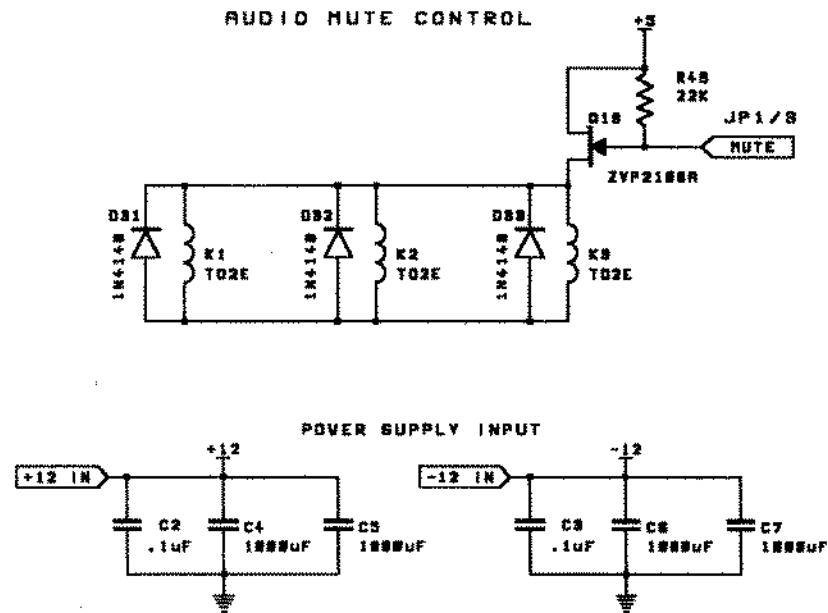
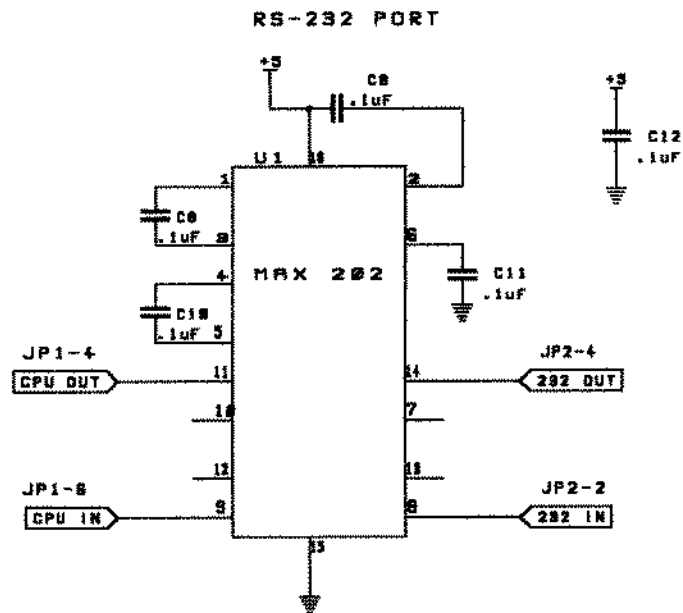


MONDIAL DESIGNS 28 Livingstone Ave Dobbs Ferry New York 914 693-8888			
Sheet File Name: act3c*2.sch	Sheet #: A	Document Number: Video Selector	Rev. #: 1B
Sheet Creation date: 12/28/87	Modification date: 12/28/87	SHEET 2 OF 2	



Act-3
DIGITAL Input/ Switches





Mondial Designs
28 Livingstone Ave
Dobbs Ferry
New York

Sheet Title

Act3 Surround Processor

Sheet File Name
act3.sch

Size
A

Document Number

Control Circuits

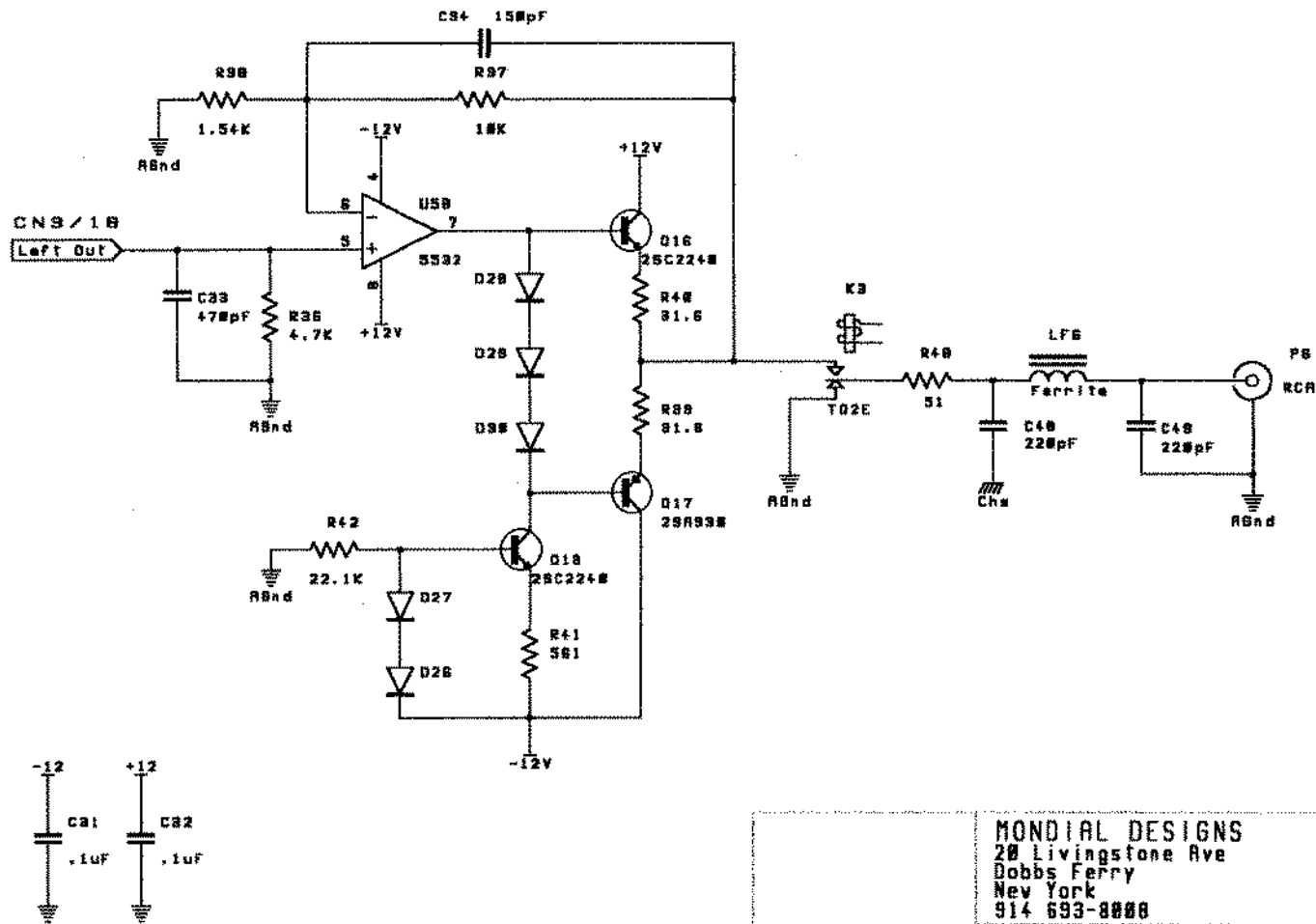
Box 1
1B

Sheet Creation Date
12/18/97

Modification Date
12/28/97

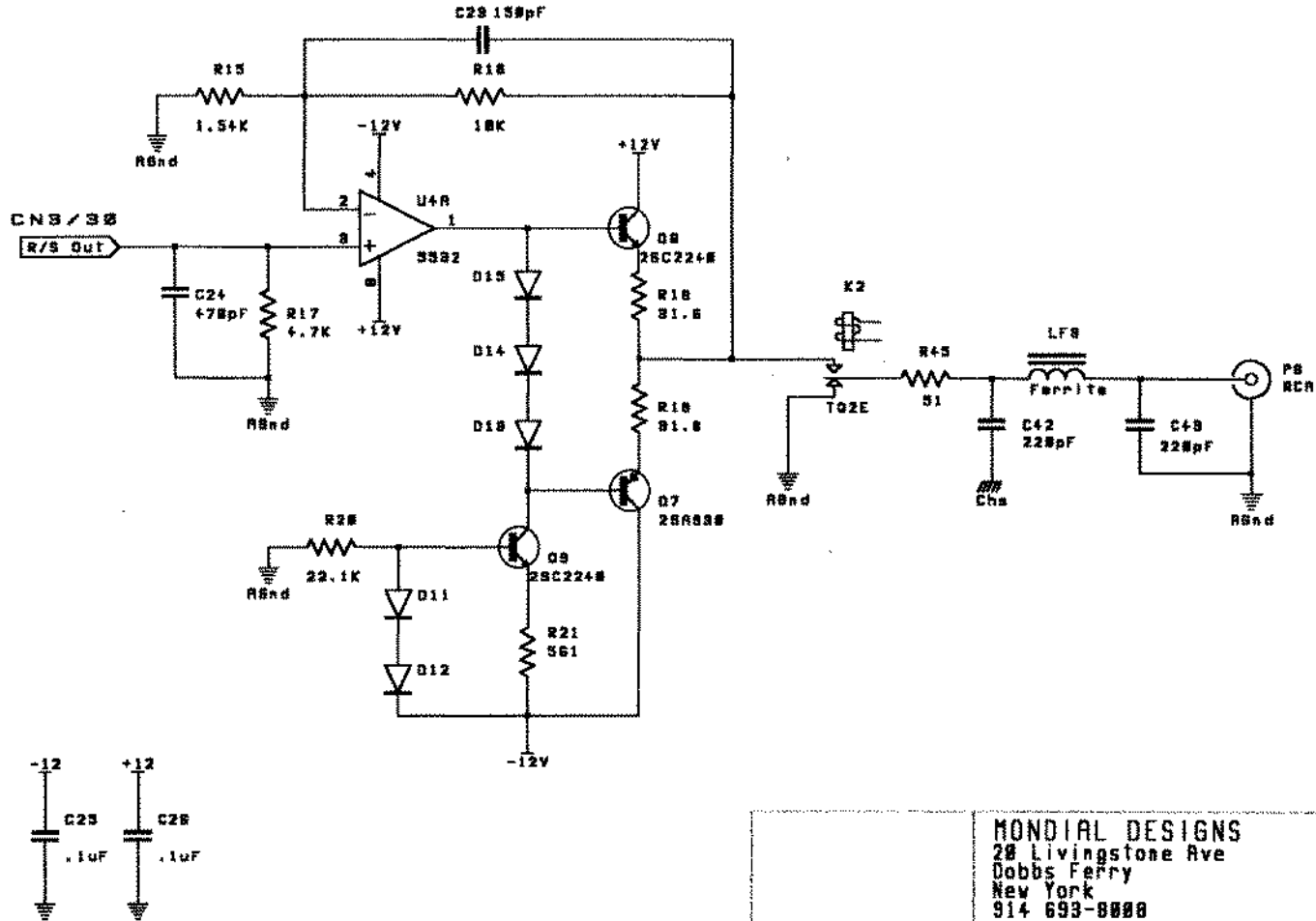
SHEET 1 OF 1

AUDIO OUTPUT STAGE
FRONT LEFT CHANNEL



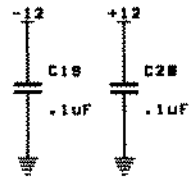
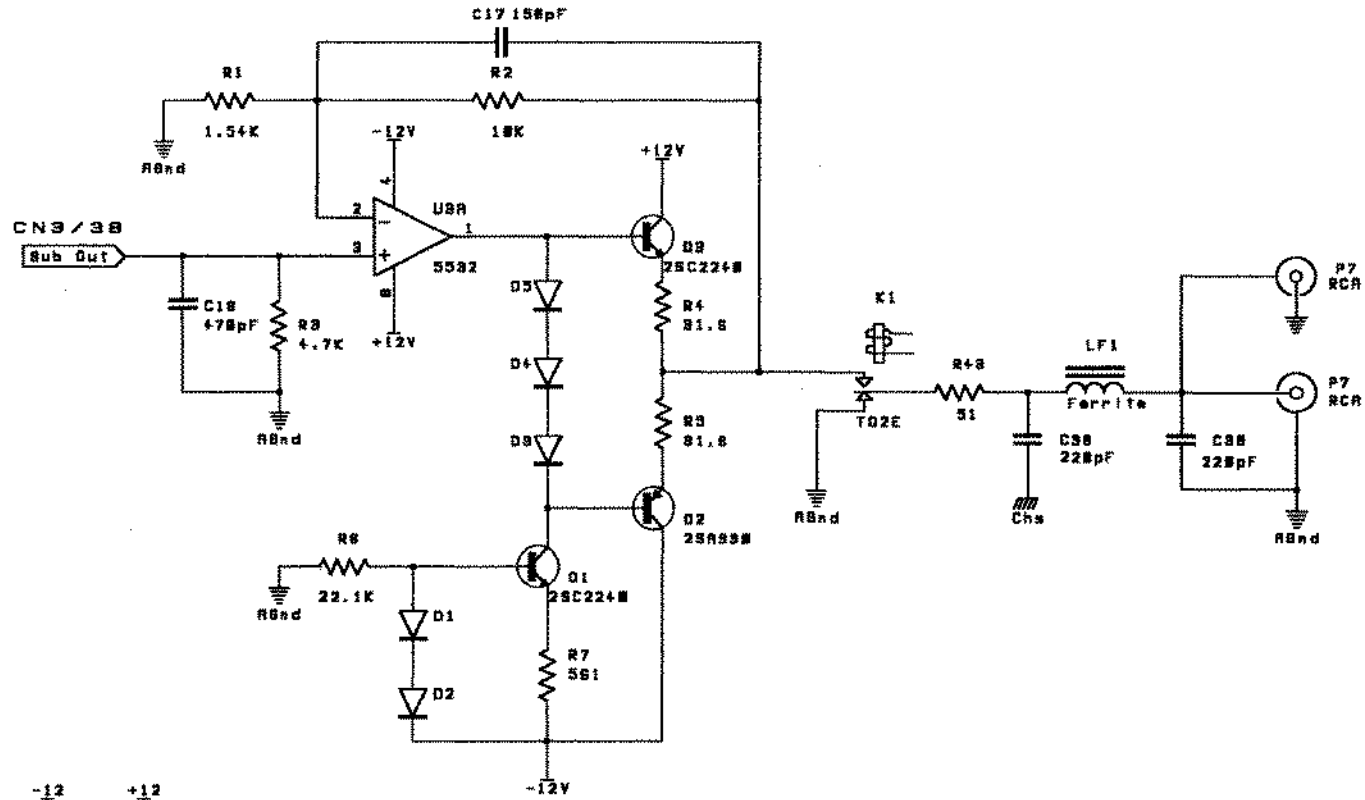
<p>MONDIAL DESIGNS 20 Livingstone Ave Dobbs Ferry New York 914 693-8000</p>			
Sheet Title		ACT3 Surround Processor	
Sheet File Name	Sheet	Revised / Working	Rev. #
act3a-6.sch	R		Left Channel Output 18
Sheet Creation Date	Modification Date		
12/18/97	12/29/97	SHEET 6	OF 6

AUDIO OUTPUT STAGE
RIGHT SURROUND CHANNEL



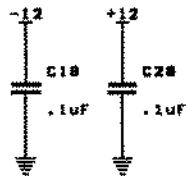
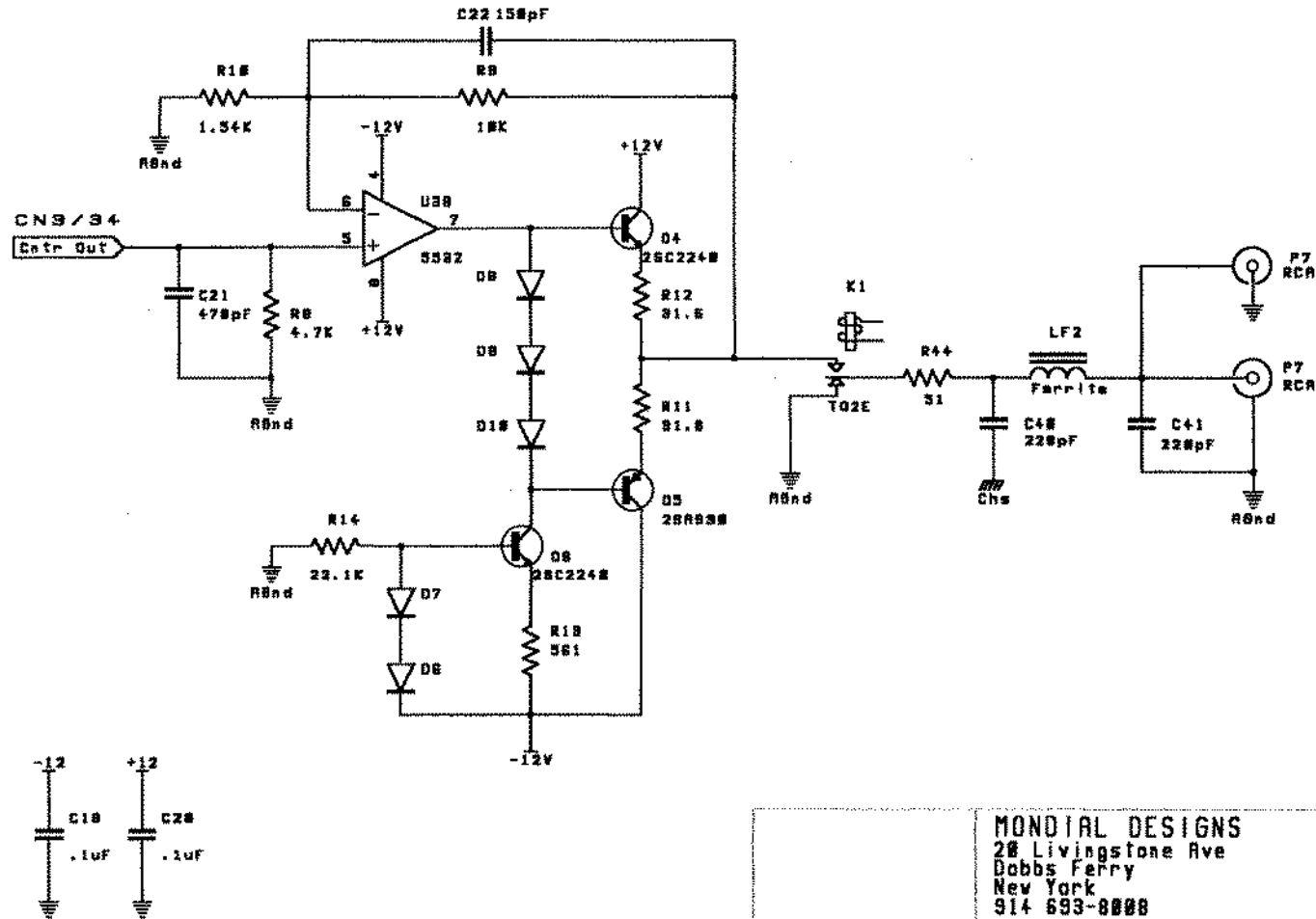
MONDIAL DESIGNS 28 Livingstone Ave Dobbs Ferry New York 914 693-8888			
Sheet Title:		ACT9 Surround Processor	
Sheet File Name:	Sheet:	Sheet Number:	Rev.:
act3a-3.sch	A	R Surround Output	1B
Sheet Creation Date:	Modification Date:	SHEET 3 OF 6	
12/18/97	12/29/97		

AUDIO OUTPUT STAGE
SUB WOOFER CHANNEL



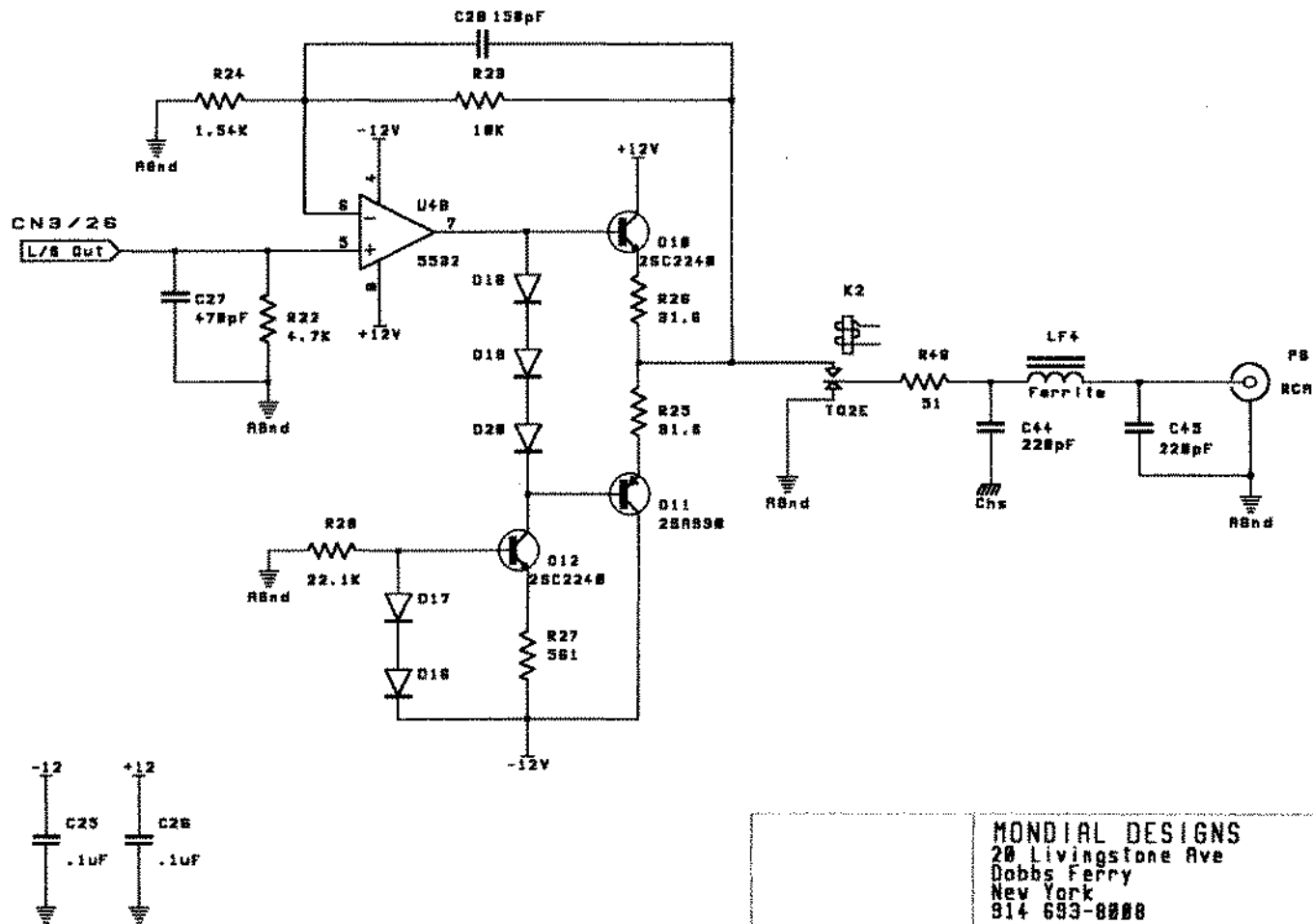
MONDIAL DESIGNS 20 Livingstone Ave Dobbs Ferry New York 914 693-8000			
Sheet Title: ACT3 Surround Processor			
Sheet File Name: act3a~1.sch	Size: A	Sheet Number: Sub Woofer Output	Rev. #: 1B
Sheet Creation Date: 12/10/97	Modification Date: 12/29/97	SHEET 1	OF 6

AUDIO OUTPUT STAGE
CENTER CHANNEL

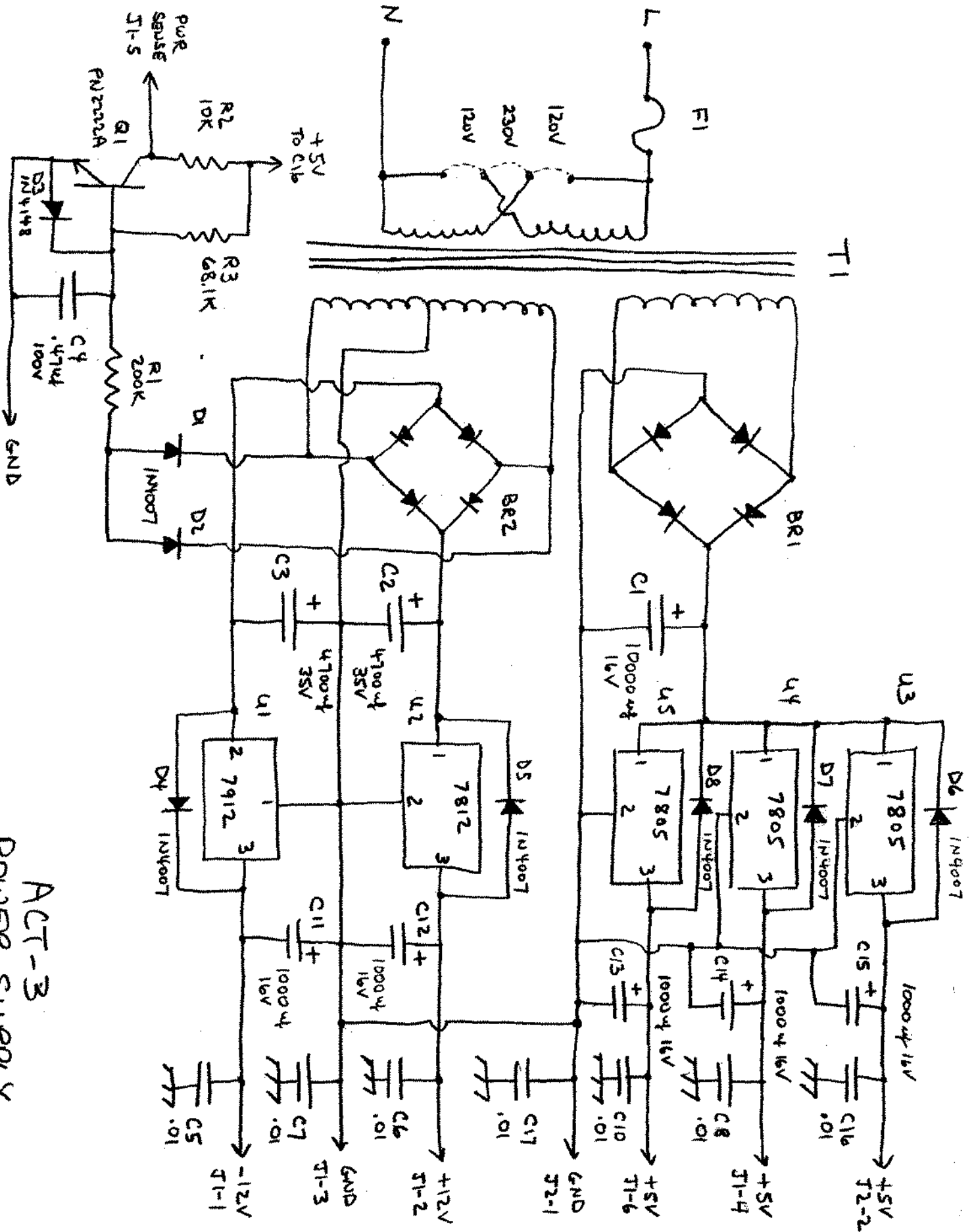


MONDIAL DESIGNS 28 Livingston Ave Dobbs Ferry New York 914 693-8888			
Sheet Title: ACT3 Surround Processor			
Sheet File Name: act3a~2.sch	Size: A	Revised Number: Center Output	Rev.: 18
Sheet Creation Date: 12/18/97	Modification Date: 12/29/97	SHEET 2 OF 6	

AUDIO OUTPUT STAGE
LEFT SURROUND CHANNEL



MONDIAL DESIGNS 20 Livingstone Ave Dobbs Ferry New York 914 693-8000			
Sheet Title: ACT3 Surround Processor			
Sheet File Name: act3a~4.sch	Size: A	Document Number: Left Surround Output	Ver. # 10
Sheet Comp. Date: 12/10/97	Modification Date: 12/29/97	SHEET 4	OF 6



ACT-3
 POWER SUPPLY
 WR 3/11/99