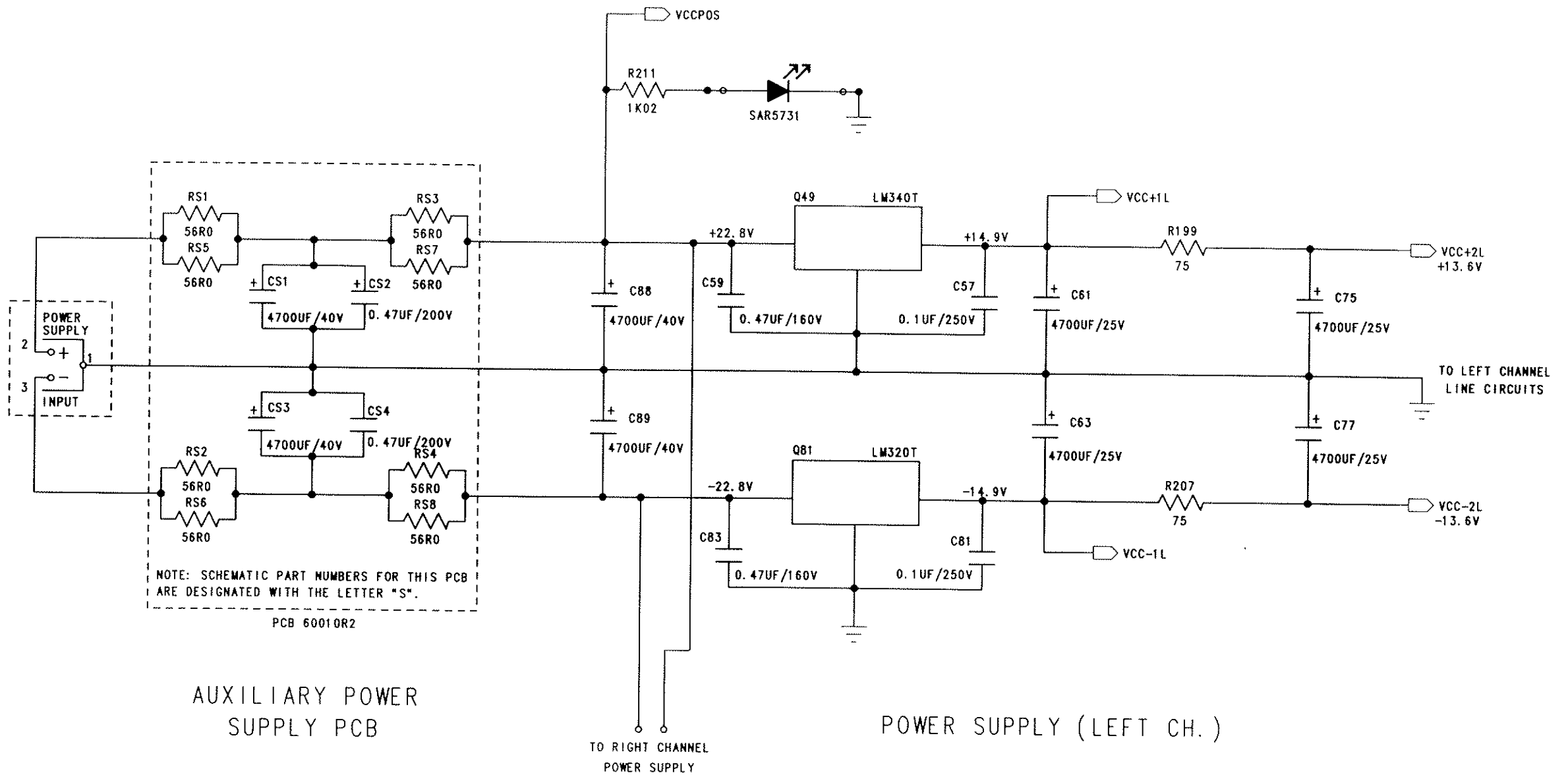
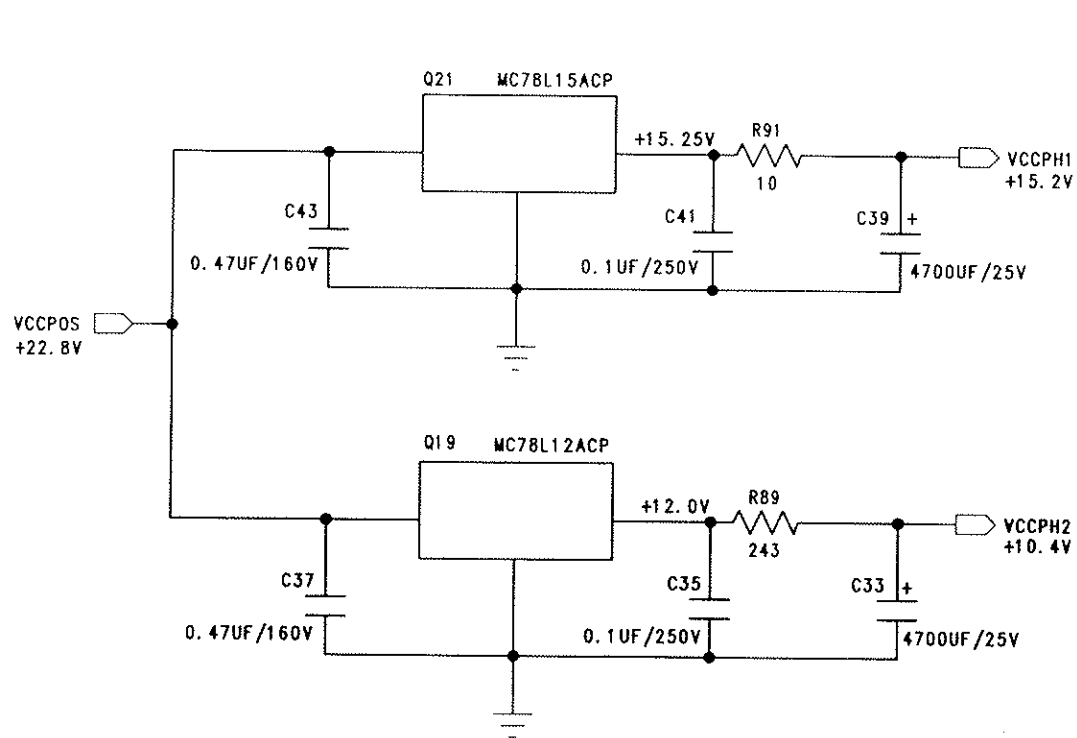


REMOTE POWER SUPPLY

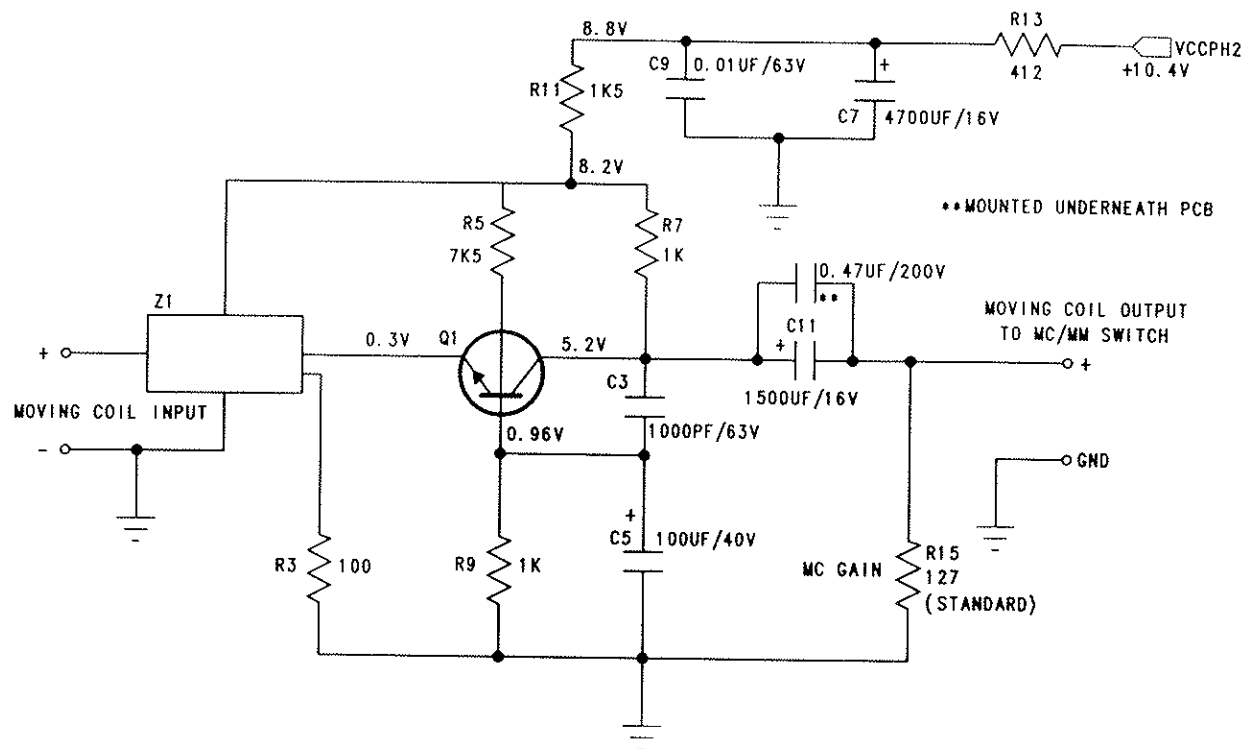
| | | |
|-----------------------------|------------------|---------------|
| COMPANY: CLASSE AUDIO INC. | | |
| TITLE: DR-6/6L PREAMPLIFIER | | |
| DESC: REMOTE POWER SUPPLY | | |
| DRAWING NO: DR-6-1 | | |
| DRAWN: DJR | DATE: FEB. 18/91 | SHEET: 1 OF 6 |



| | | | |
|-------------|--|-------|--------------------------|
| COMPANY: | CLASSE AUDIO INC. | | |
| TITLE: | DR-6/6L PREAMPLIFIER | | |
| DESC: | AUXILIARY POWER SUPPLY PCB; LEFT CHANNEL POWER SUPPLY | | |
| DRAWING NO: | DR-6-1R3-2 | | |
| DRAWN: | DJR | DATE: | FEB. 18/91 SHEET: 2 OF 6 |



PHONO POWER SUPPLY (LEFT CH.)



MOVING COIL PHONO (LEFT CH.)

REVISIONS:

| PART NUMBER | WAS | IS | DATE |
|-------------|------------|------------|------------|
| C3 | 3300PF/63V | 1000PF/63V | JUL. 9/91. |

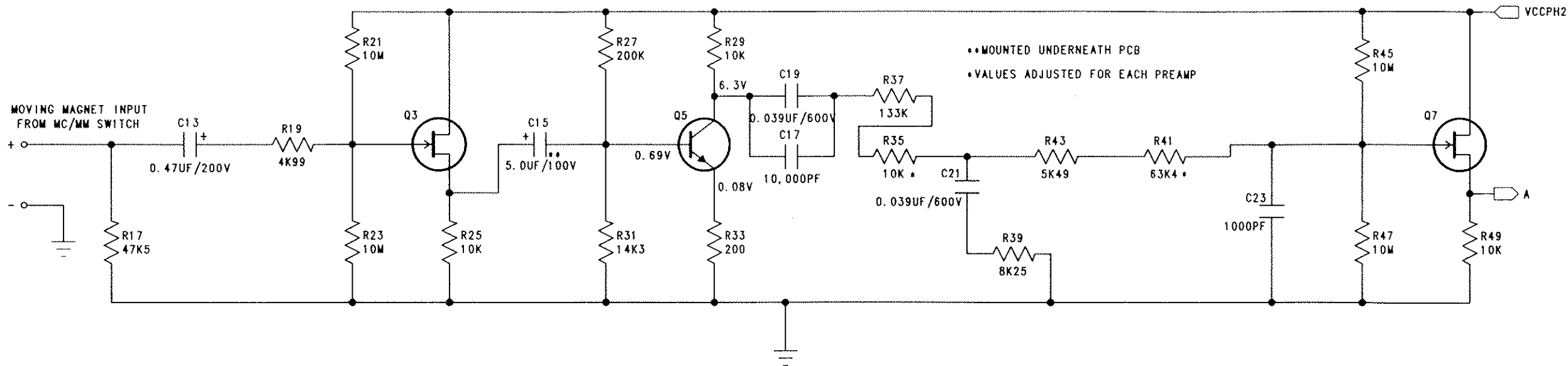
COMPANY: CLASSE AUDIO INC.

TITLE: DR-6/6L PREAMPLIFIER

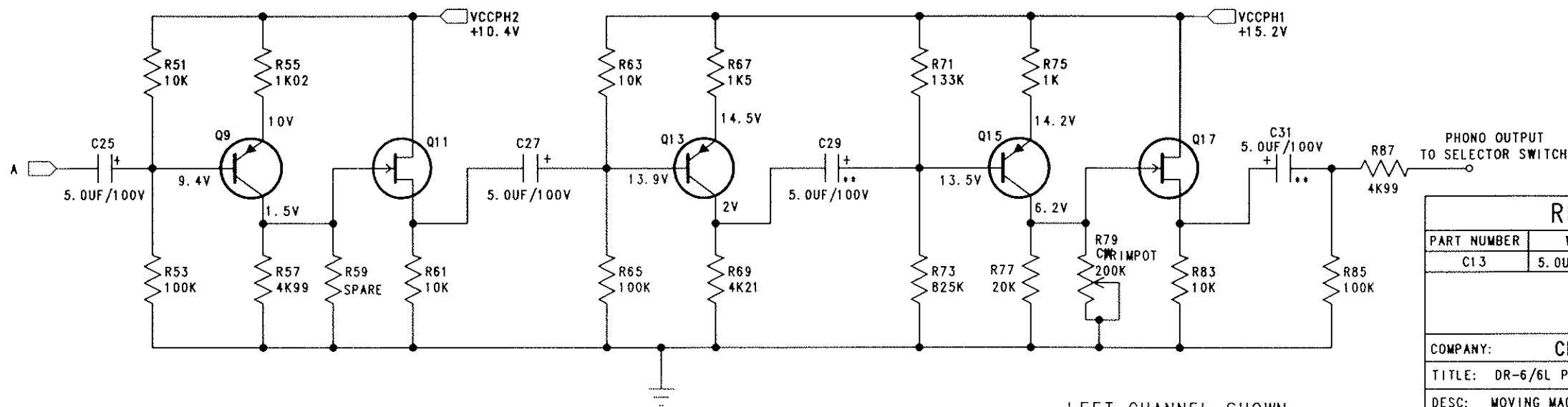
DESC: PHONO POWER SUPPLY; MOVING COIL PHONO

DRAWING NO: DR-6-1R3-3

DRAWN: DJR DATE: FEB. 18/91 SHEET: 3 OF 6



•• MOUNTED UNDERNEATH PCB
 • VALUES ADJUSTED FOR EACH PREAMP



LEFT CHANNEL SHOWN

REVISIONS:

| PART NUMBER | WAS | IS | DATE |
|-------------|------------|-------------|------------|
| C13 | 5.0UF/100V | 0.47UF/200V | JUL. 9/91. |

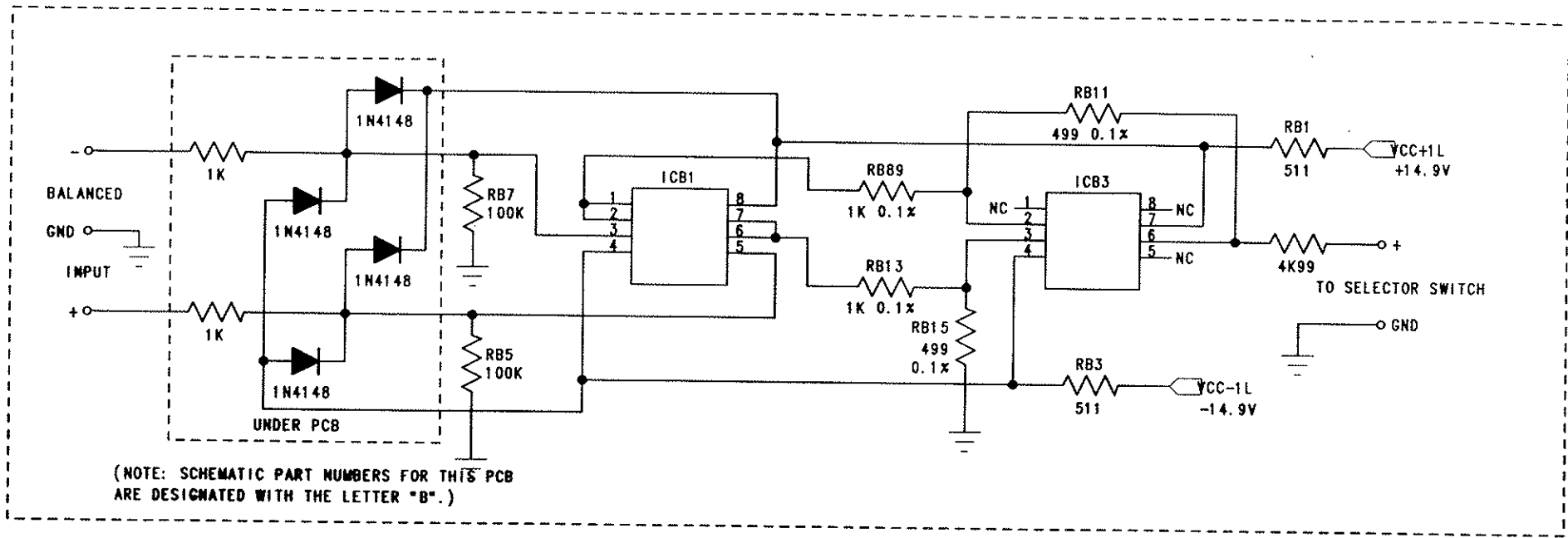
COMPANY: CLASSE AUDIO INC.

TITLE: DR-6/6L PREAMPLIFIER

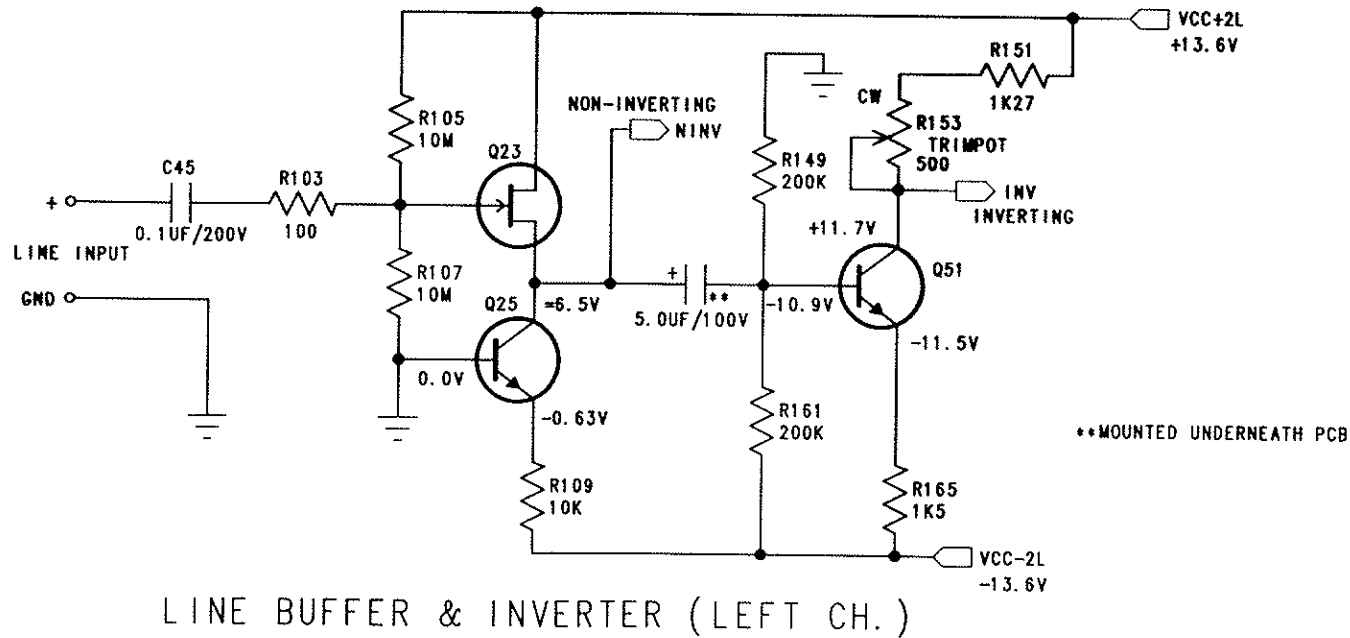
DESC: MOVING MAGNET PHONO

DRAWING NO: DR-6-1R3-4

DRAWN: DJR DATE: FEB. 18/91 SHEET: 4 OF 6



BALANCED INPUT (LEFT CH.) (UNDERNEATH MAIN PCB)



LINE BUFFER & INVERTER (LEFT CH.)

REVISIONS:

| PART NUMBER | WAS | IS | DATE |
|-------------|--------------|--------------|------------|
| R157 | 100K | NOT USED | JUL. 9/91. |
| R149 | NOT USED | 200K | JUL. 9/91. |
| R161 | 10K | 200K | JUL. 9/91. |
| UNDER PCB | 5UF/100V X 2 | 5UF/100V X 1 | JUL. 9/91. |

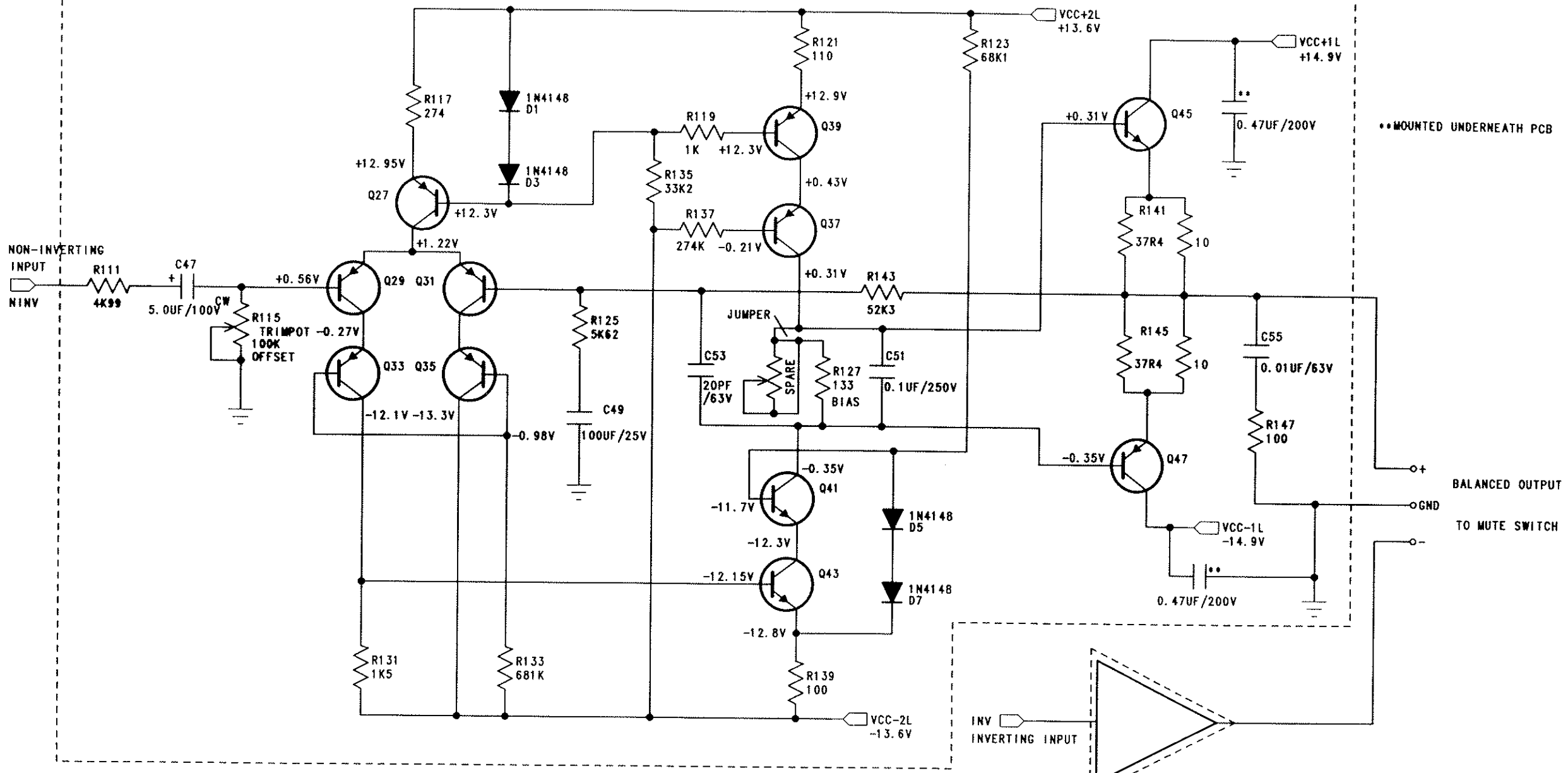
COMPANY: CLASSE AUDIO INC.

TITLE: DR-6/6L PREAMPLIFIER

DESC: BALNCED INPUT; LINE BUFFER & INVERTER

DRAWING NO: DR-6-1R3-5

DRAWN: DJR DATE: FEB. 18/91 SHEET: 5 OF 6



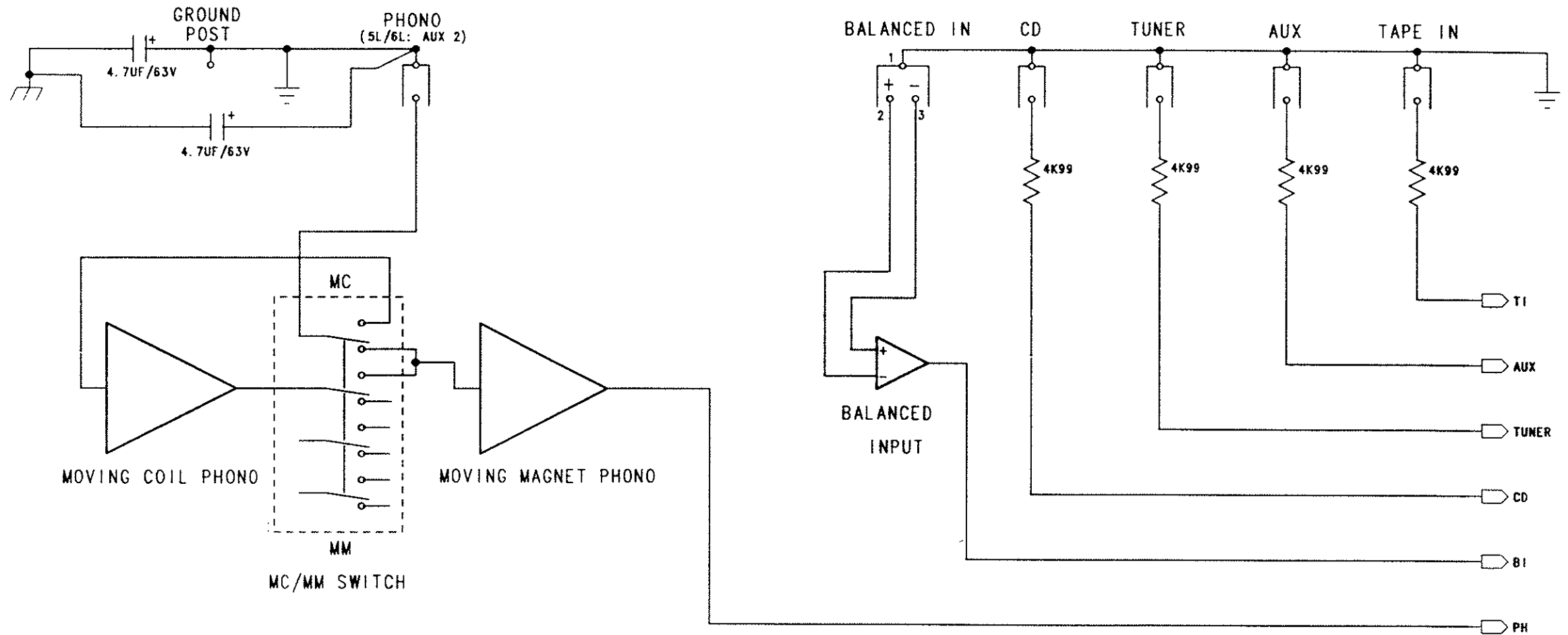
**MOUNTED UNDERNEATH PCB

BALANCED OUTPUT
TO MUTE SWITCH

PART A
LEFT CHANNEL SHOWN

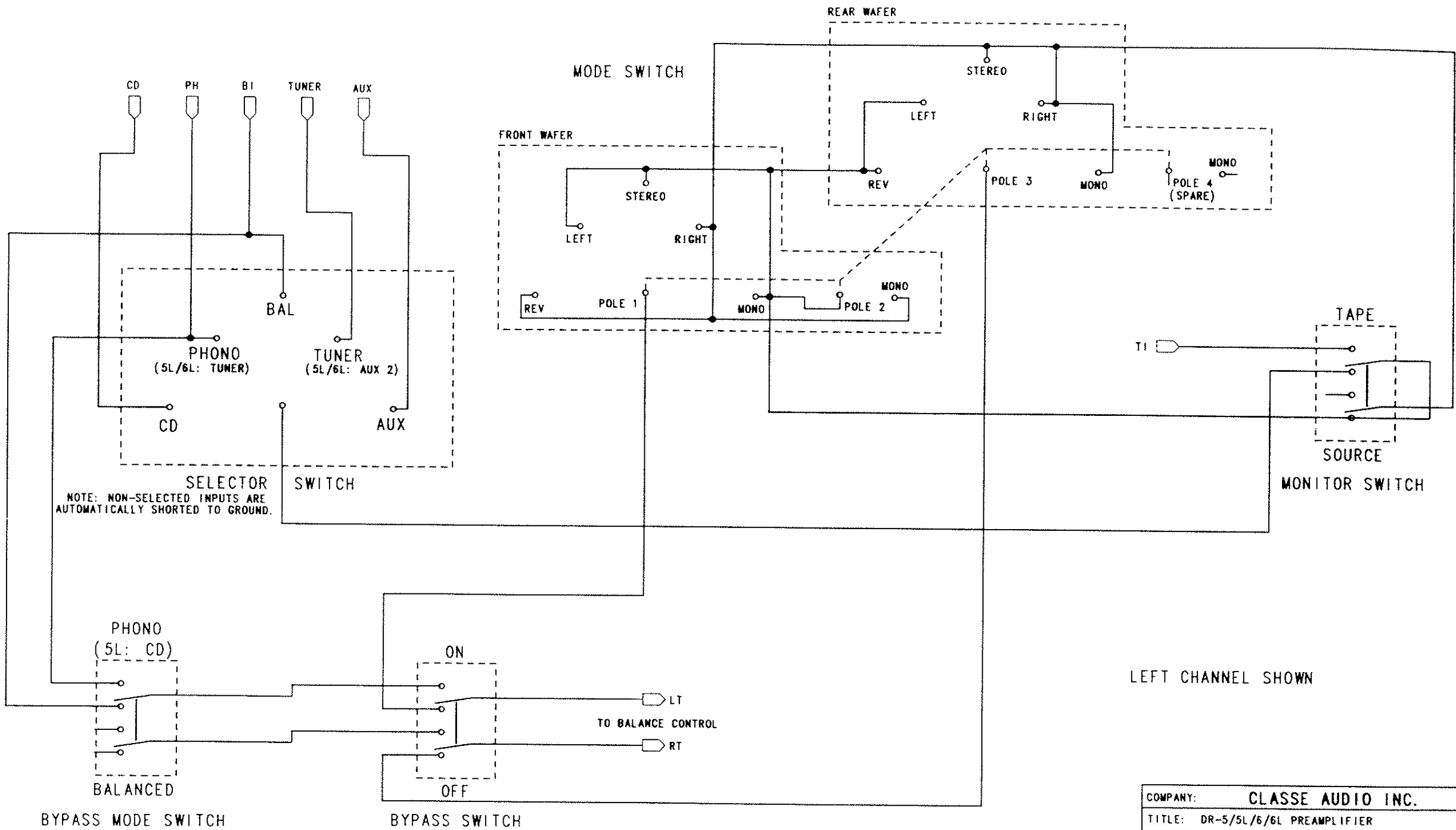
PART B
(IDENTICAL TO PART A)

| | |
|-------------|----------------------|
| COMPANY: | CLASSE AUDIO INC. |
| TITLE: | DR-6/6L PREAMPLIFIER |
| DESC: | LINE STAGE |
| DRAWING NO: | DR-6-1R3-6 |
| DRAWN: | DJR |
| DATE: | FEB. 18/91 |
| SHEET: | 6 OF 6 |



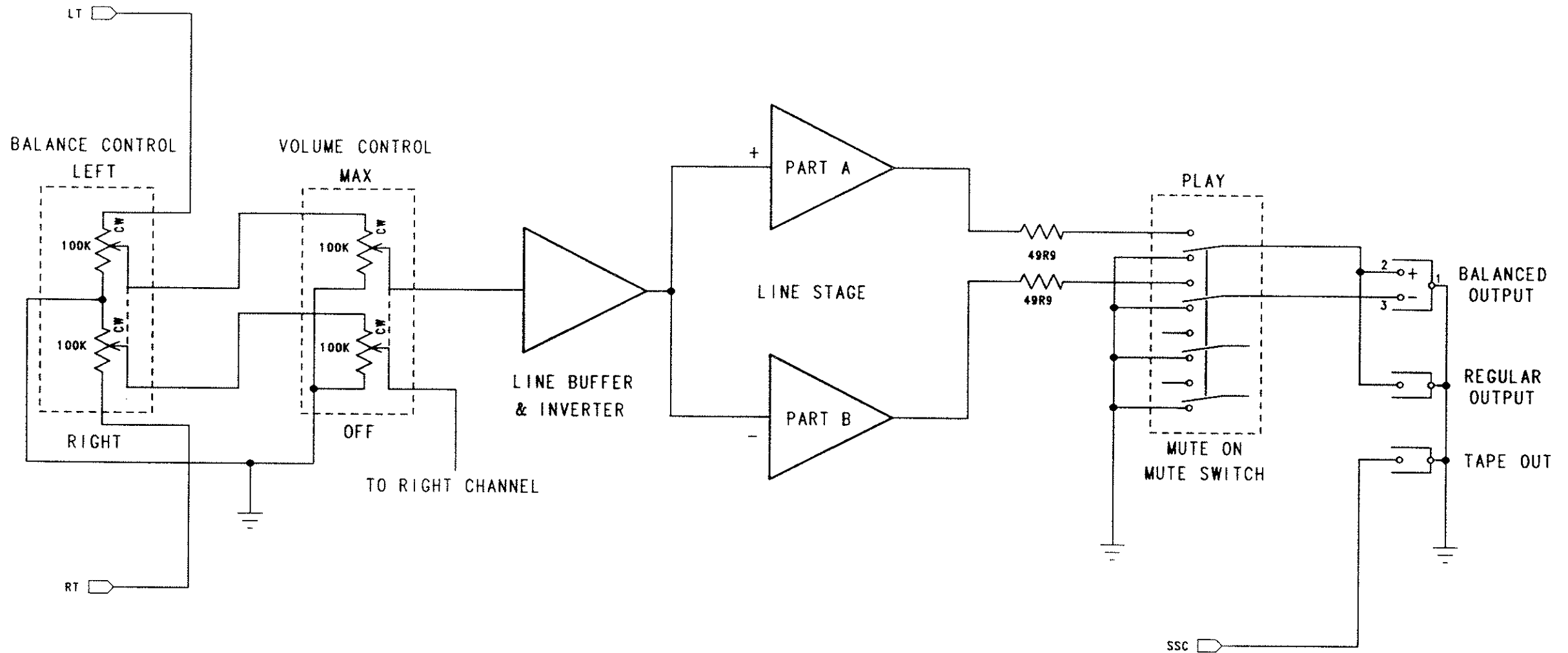
LEFT CHANNEL SHOWN

| | | |
|----------------------------------|------------------|---------------|
| COMPANY: CLASSE AUDIO INC. | | |
| TITLE: DR-5/5L/6/6L PREAMPLIFIER | | |
| DESC: FLOW DIAGRAM | | |
| DRAWING NO: 6FD-1 | | |
| DRAWN: DJR | DATE: MAR. 8/91. | SHEET: 1 OF 3 |



LEFT CHANNEL SHOWN

| | | | |
|-------------|-----|---------------------------|------------|
| COMPANY: | | CLASSE AUDIO INC. | |
| TITLE: | | DR-5/5L/6/6L PREAMPLIFIER | |
| DESC: | | FLOW DIAGRAM | |
| DRAWING NO: | | 6FD-2 | |
| DRAWN: | DJR | DATE: | MAR. 8/91. |
| | | SHEET: 2 OF 3 | |



LEFT CHANNEL SHOWN

| | | |
|----------------------------------|------------------|---------------|
| COMPANY: CLASSE AUDIO INC. | | |
| TITLE: DR-5/5L/6/6L PREAMPLIFIER | | |
| DESC: FLOW DIAGRAM | | |
| DRAWING NO: 6FD-3 | | |
| DRAWN: DJR | DATE: MAR. 8/91. | SHEET: 3 OF 3 |