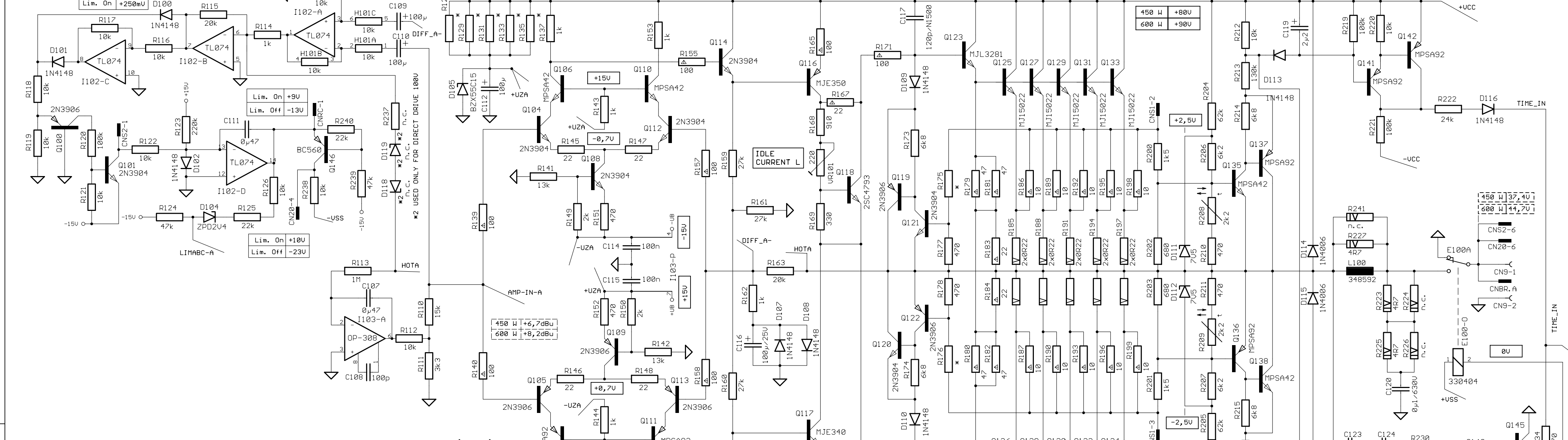
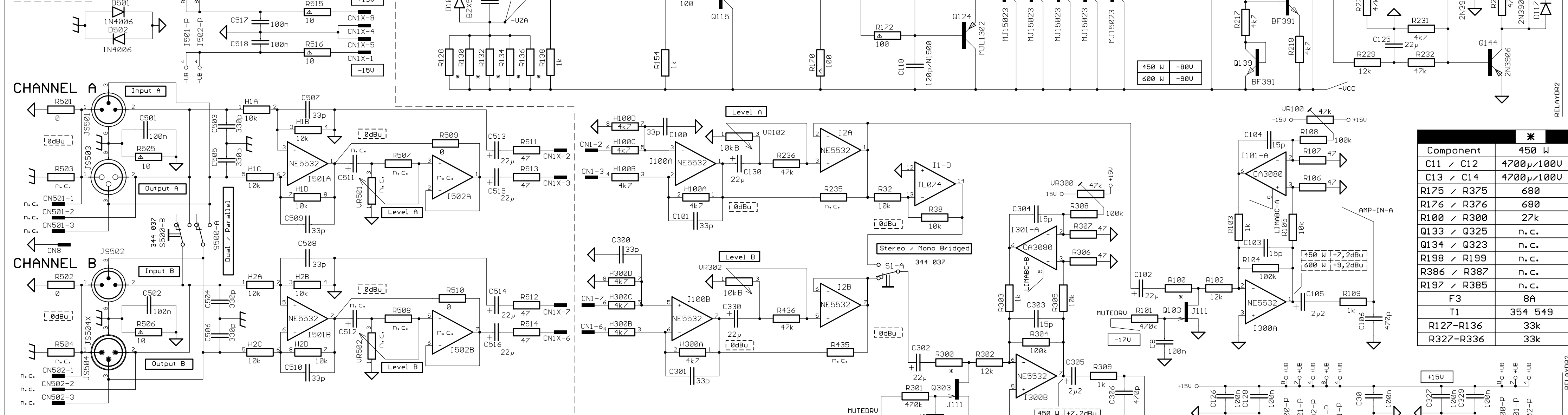


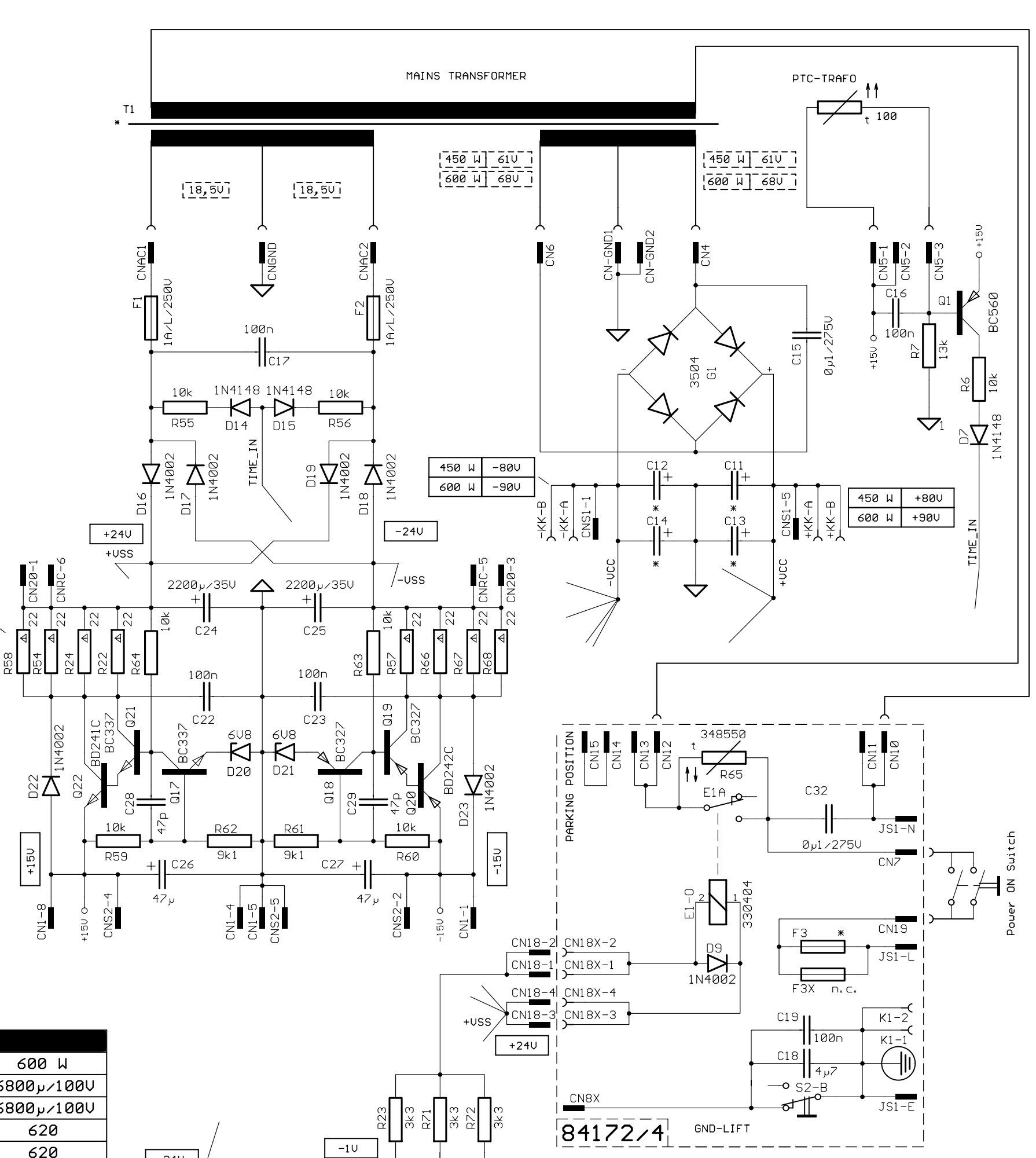
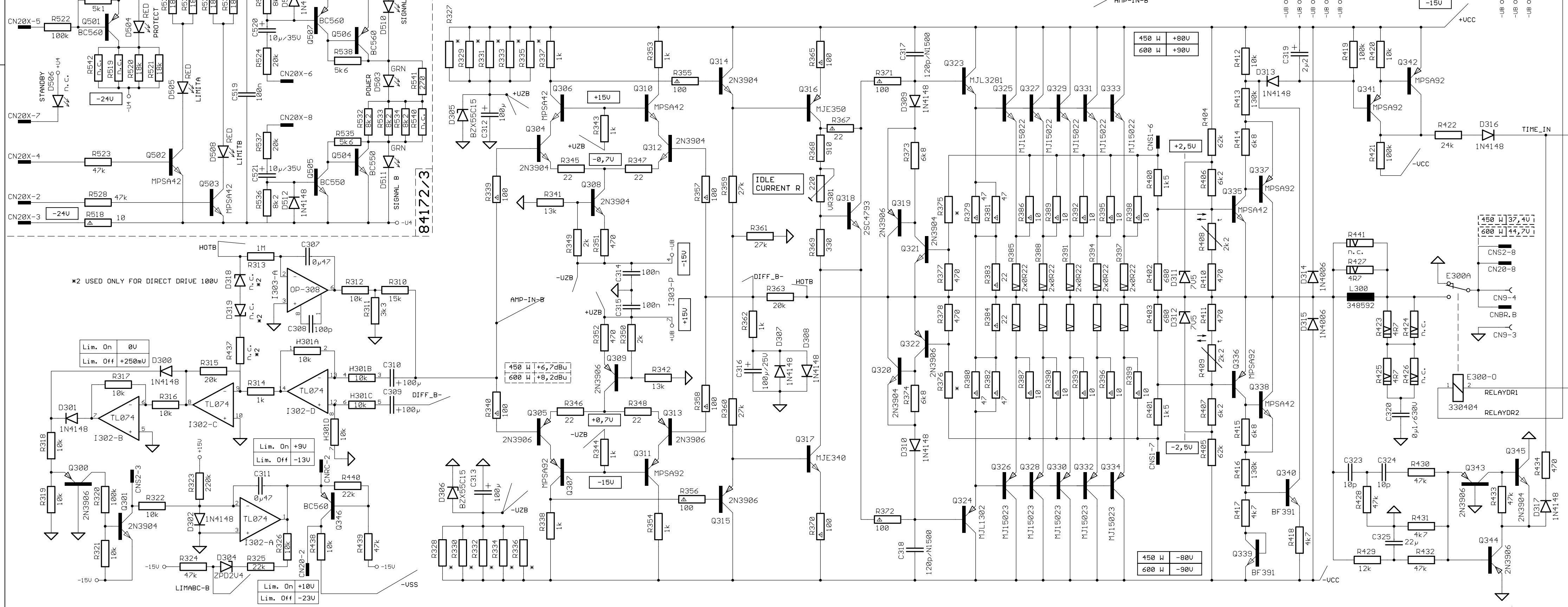
84172-1



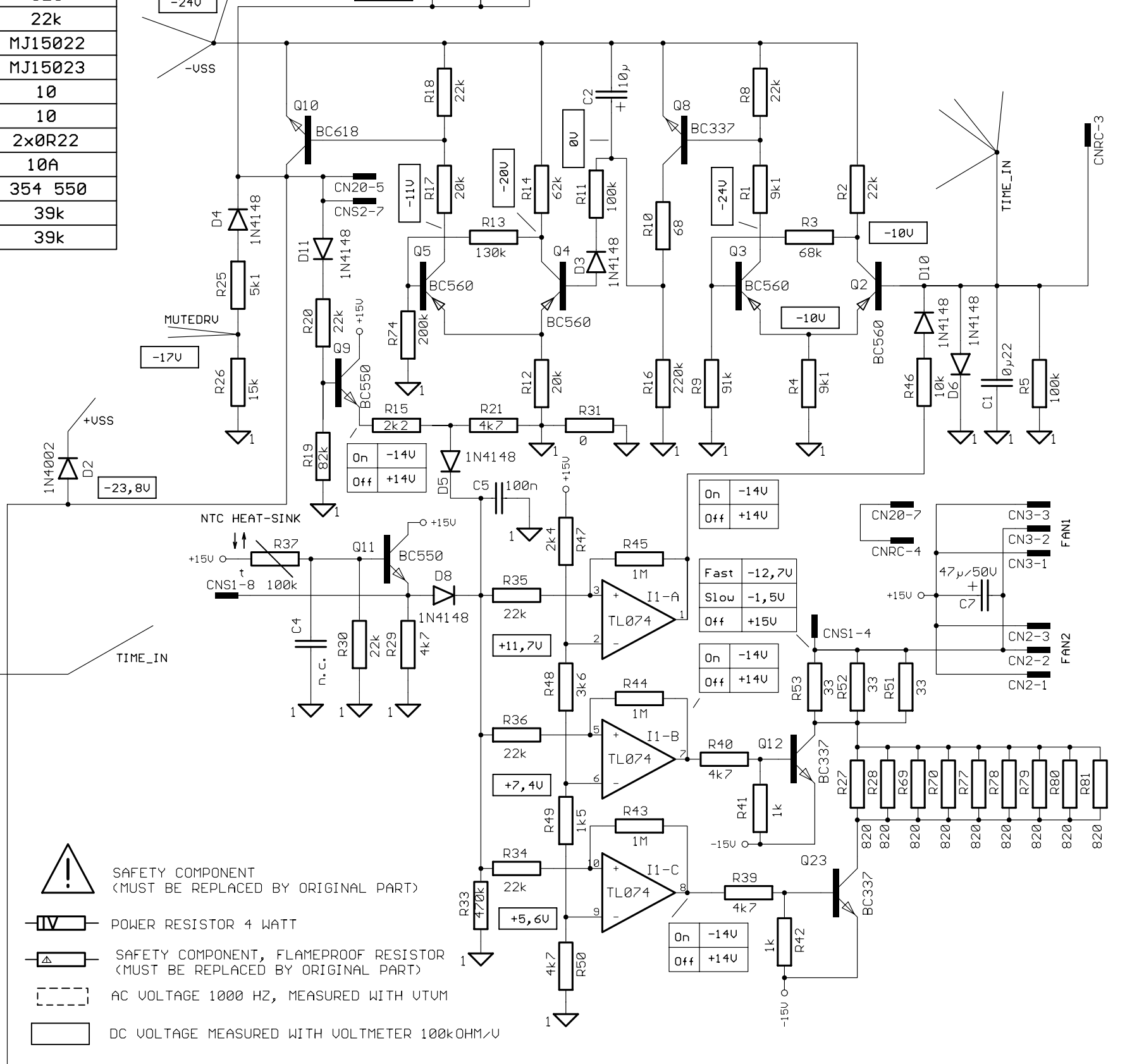
84172-2



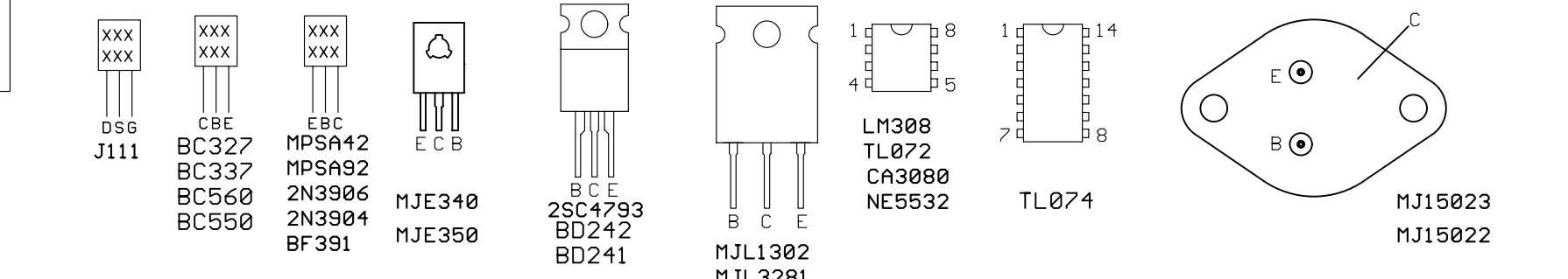
84172-3



Component	450 W	600 W
C11 / C12	4700µ/100V	6800µ/100V
C13 / C14	4700µ/100V	6800µ/100V
R175 / R375	680	620
R176 / R376	680	620
R180 / R380	27k	22k
Q133 / Q325	n.c.	MJ15022
Q134 / Q323	n.c.	MJ15023
R198 / R199	n.c.	10
R386 / R387	n.c.	10
R197 / R385	n.c.	2xØR22
F3	9A	18A
T1	354 549	354 550
R127-R136	33k	39k
R327-R336	33k	39k



- SAFETY COMPONENT (MUST BE REPLACED BY ORIGINAL PART)
- POWER RESISTOR 4 WATT
- SAFETY COMPONENT, FLAMEPROOF RESISTOR (MUST BE REPLACED BY ORIGINAL PART)
- AC VOLTAGE 1000 Hz, MEASURED WITH VTVM
- DC VOLTAGE MEASURED WITH VOLTMETER 100kOHM-V



ALTERATIONS RESERVED!

REV	DATE	NAME	LANG
B	16-99,17-99	02,99	CSC
A	42-98	05,98	Lang

ISSUE REVISION DATE NAME

84172D

CIRCUIT DIAGRAM

354 563

S900 / S1200

EUI AUDIO