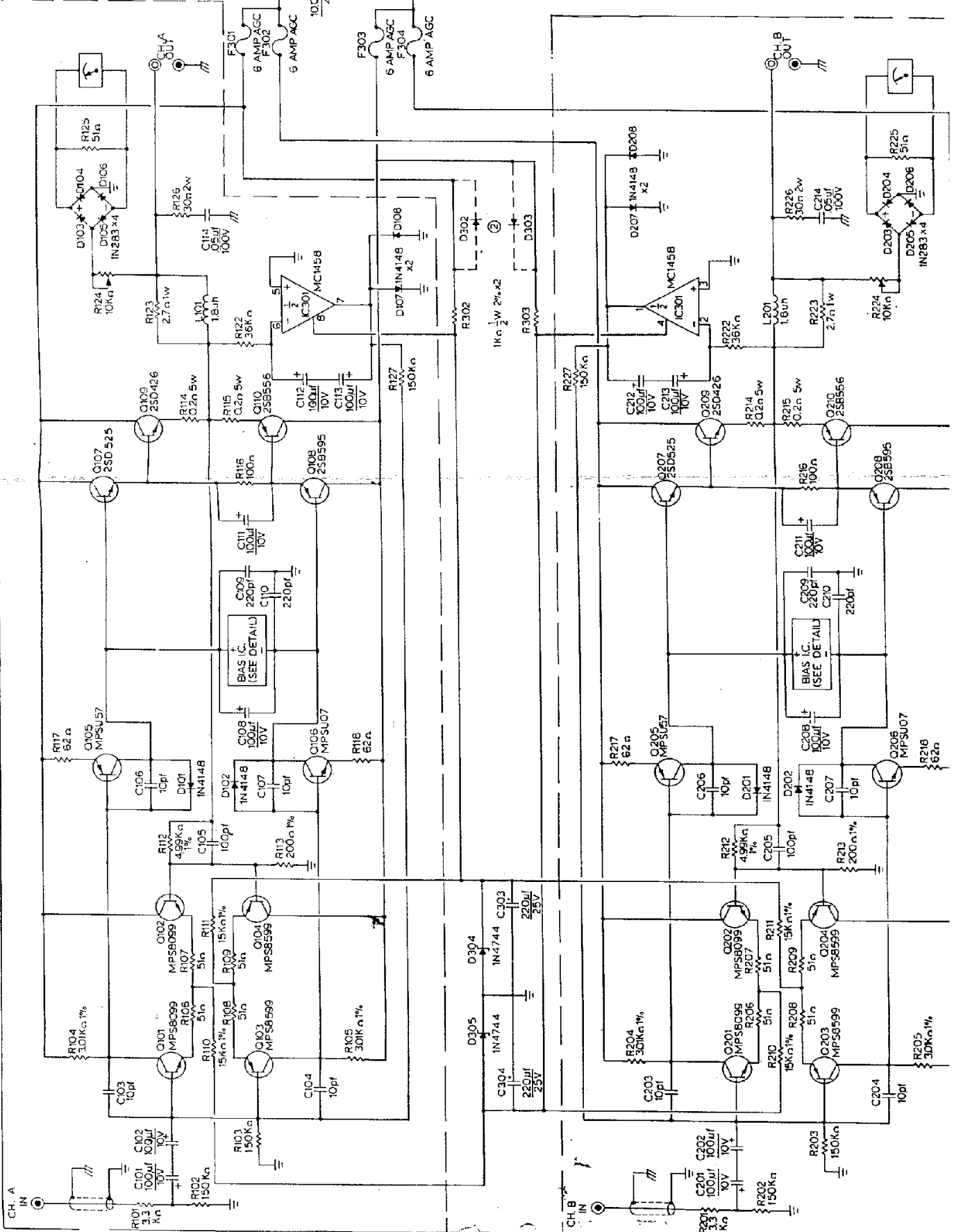


1. ALL RESISTORS ARE 1/4 WATT, 5% UNLESS SPECIFIED.
 2. D302 & D303 ARE REPLACED BY JUMPER ON PCB #72B.
 ALL PART NOS ARE "2xx" SERIES)

REV	DESCRIPTION	DATE	DESIGNED BY	CHECKED BY
C	PER ECOO #315	11/78		
B	ADDED R304, R305, D302, D303 PART NOS STANDARDIZED	1-6-78		
A	MISC.	12/37		



ES&S
 7010 LABEL, COMPUTER CALIBRATION UNIT