

NO. 27.5 AC-8.5 THEORY OF OPERATION

The AC-8.5 PC Assembly contains buffer and voltage gain circuitry for the No. 27.5 Power Amplifier. Regulated DC Supplies and current gain circuitry are located on the AC-8 PC Assembly and interconnected via gold pins.

BUFFER STAGE ONE

The buffer input stage consists of a bipolar cascoded differential amplifier with passive collector loading and constant current source and sink for DC biasing. Q50, Q52 and R62 comprise a current sink for total first stage current of 2.4 mA. 800 μ A is available to each half of Q64, a supermatch pair configured as a differential common emitter amplifier. The remaining 800 μ A is sourced by Q62, Q63 and R55 for biasing of cascoded common base amplifiers Q51 and Q53 by CR68, CR69 and R61.

BUFFER STAGE TWO

The second buffer stage is comprised of a differential input amplifier, Q55 and Q59, with current mirror Q56 and Q58, for conversion to single-ended output. Half of the differential amplifier is cascoded by Q57 for isolation from driveline voltage swings. Passive DC biasing is accomplished by R75, R76 and R77. Approximately 9 mA is available to each side of the differential amplifier, with 1 mA bias through R76 and R77 to set DC bias of Q57's base.

BUFFER OUTPUT STAGE

The buffer output stage is comprised of a complimentary emitter follower configuration of Q60 and Q61, whose emitter currents are set at approximately 12 mA by bias elements CR62, CR63 and R80.

VOLTAGE GAIN STAGE ONE

The voltage gain input stage consists of a bipolar cascoded differential amplifier with passive collector loading and constant current source and sink for DC biasing. Q2, Q3, R13 and R14 comprise a current sink for total first stage current of 3.2 mA. 800 μ A is available to each half of Q19, a supermatch pair configured as a differential common emitter amplifier. The remaining 1.6mA is sourced by Q4, Q5, R12 and R38 for biasing of cascoded common base amplifier Q1 by CR1, CR2 and R10, and Q6 by CR3, CR4 and R16.

VOLTAGE GAIN STAGE TWO

The second voltage gain stage is comprised of a differential common emitter amplifier Q9 and Q18, cascoded common base amplifiers Q10 and Q15, with current mirror Q11 and Q17, for conversion to single-ended output. Current mirror element Q17 is cascoded with Q16 as are their circuit complements, Q18 with Q15, for isolation from driveline voltage swing. Q13 provides bias for Q16 and, in conjunction with CR27 and CR28, for Q11 and Q17. CR19 provides a constant current load for Q13 to ensure that it never turns off.

Second stage current source Q12, Q14 and R29 provides 57.5mA, approximately 24mA to each side of the differential amplifier, and the remaining 10 mA through cascode bias chains CR13-CR18 and CR20-CR25 and current sink Q7, Q8 and R24.

NO. 27.5 AC-8 THEORY OF OPERATION

REGULATOR

Voltage gain stages are powered by regulated + and - 65V supplies. DC rectification is performed by a discrete full-wave bridge located on the VB-5 PC board. Two 1900 μ F capacitors clamped to the chassis provide filtering before the unregulated voltages are brought to the channel's two separate, non-tracking regulators. Since the regulators are complimentary but identical in operation, only the positive regulator will be described in detail.

A reference voltage is set by 36V Zener diode CR206, and filtered by R207, C201 and C203. Zener current is available on power-up through R229 and CR211; as regulated output stabilizes, CR211 is reversed biased, CR203 becomes forward biased, and CR204 provides a regulated current for Zener operation. A differential amplifier comprised of Q201 and Q203 compares Zener reference to a portion of regulator output. Regulator gain $\{1 + (R225 + R215a)/(R215b + R219)\}$ can be adjusted by varying R215. Voltage gain is provided by common emitter amplifier Q205, and current gain by emitter followers Q207 and Q209 for the required +65V, 132mA output.

ANTI-THUMP

During turn-on and turn-off, transients are minimized by clamping amplifier drive lines to ground. Clamping, comparator and timing circuitry is located on the AC-8 PC assembly.

1. COMPARATOR

Comparator Q213 monitors -VReg and develops the appropriate voltage across its collector load resistor, R240, to control clamping action. With Q213's base held to -12V by CR220, CR222 in Zener breakdown at 47V, and voltage across R244 setting emitter current, Q213 remains in saturation during normal amplifier operation. If -VReg falls below the Zener threshold of CR220 + CR222, emitter current through R244 ceases and voltage across R240 falls to zero.

Q214, an N-Channel J-FET, is switched by Q213 to control the voltage at the junction of R239 and R241. During normal operation, Q214's gate voltage is held at -12V, well below specified gate-source cutoff voltage. Drain current at this time is virtually zero. Diode CR219 is in Zener breakdown and voltage at the junction of R238 and R239 is approximately 12V. When Q213 is not conducting (at turn-on or after turn-off), Q214's gate voltage fall to 0V, Q214 saturates, and the junction of R238 and R239 is brought to ground.

2. TIMING

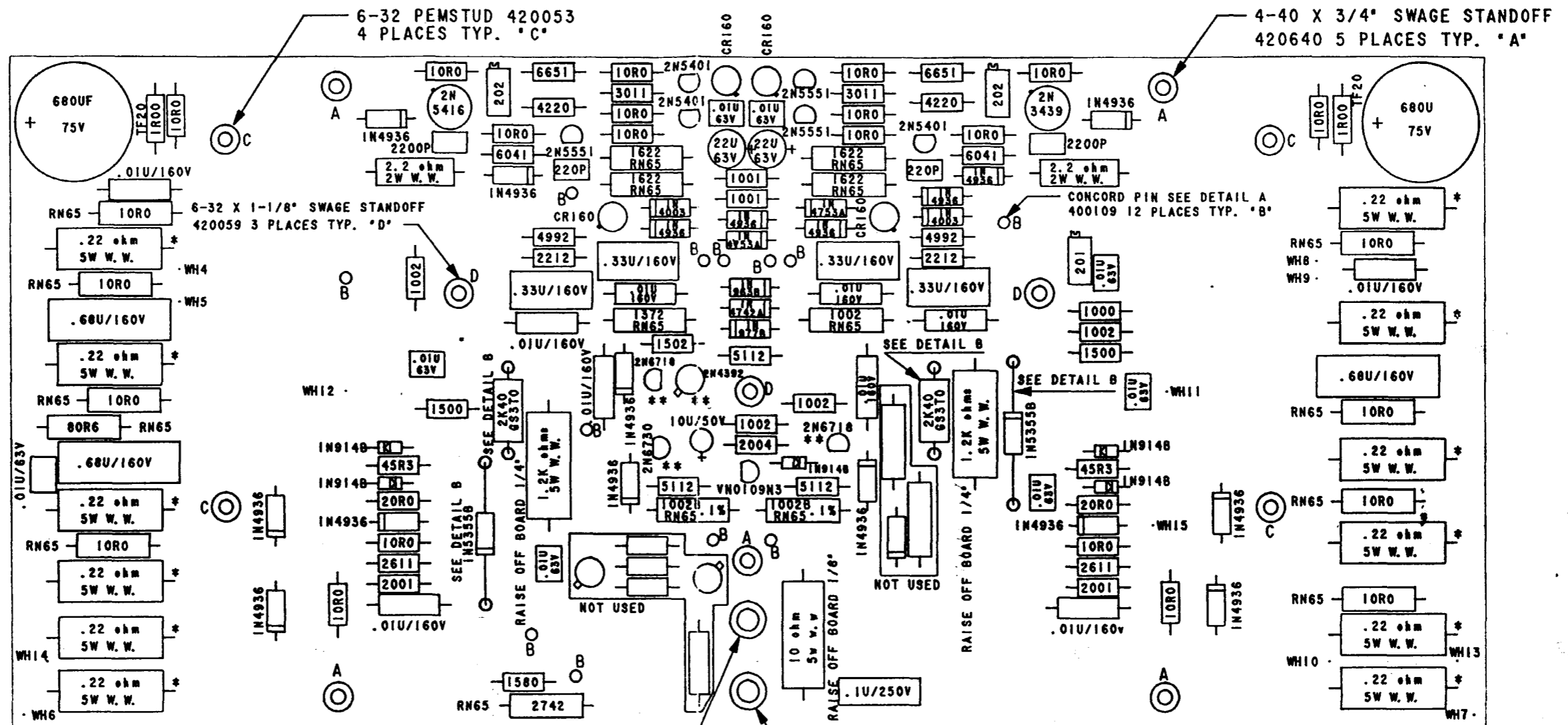
C213 will always charge to the voltage at the junction of R239 and R241. When Q214 is in cutoff (after turn-on and during normal amplifier operation), C213 charges slowly through R239, R241 and R242 to +12V. When Q214 saturates (at turn-on or after turn-off), C213 discharges quickly through CR223, R241 and the drain of Q214 to ground. Charge on C213 is applied to the gate of MOSFET Q216.

3. CLAMPING

Amplifier drive lines are clamped to ground during power-up and power-down by saturated bipolar transistors Q215 and Q217 and their associated steering diodes CR224 and CR225. Saturation of these transistors is controlled by Q216. When the charge on C213 is near 0V, Q216, an enhancement-mode device, does not conduct, and bases of Q215 and Q217 are biased heavily through R245 and R246. As C213 charges toward +12V, Q216 conducts heavily, shorting the bases of Q215 and Q217 together and diverting base current through its channel. With Q215 and Q217 now off, collector-diode junctions are pulled to power supply rails to prevent interference with drivelines during normal operation.

SOFT CLIP

Voltage limiting of drive lines is performed by Q115 and Q116. Base voltages for these devices are established by the resistor divider network of R131-R130-R132. Emitter current for Q115 and Q116 is set by R133 and R134. As unregulated rails sag due to current demands of the load, these voltages will adjust accordingly. When drive lines exceed these predetermined voltages, CR101, CR102 and CR103 or CR104, CR105 and CR106 will begin to conduct. Multiple breakpoints set by these diodes shape the limited drivelines before hard saturation of second stage, drivers or outputs can occur. Harsh diode turn-on characteristics are softened by parallel resistors R137, R139, R138 and R140. Soft clip circuitry is the primary limiting circuit when driving loads as low as two ohms.



10-32 X 7/16" SWAGE STANDOFF 420052J

10-32 X 3/16" SWAGE STANDOFF 420051J

CR217, CR218-1N5355B
OR
R251, R252-2K40/G53T0
SPACER 3 PER LEAD
400028

* RAISE OFF BOARD 1/8"
** SORTED TRANSISTORS

NOTE:
I ALL RESISTORS ARE RN60D UNLESS OTHERWISE SPECIFIED.

DETAIL B
SPACER MOUNTING

CONCORD PIN
400109
COMPONENT SIDE
DETAIL A
CONCORD PIN MOUNTING

ORIGINAL IN RED

Part# 580185A
 OR
 Print# 940779

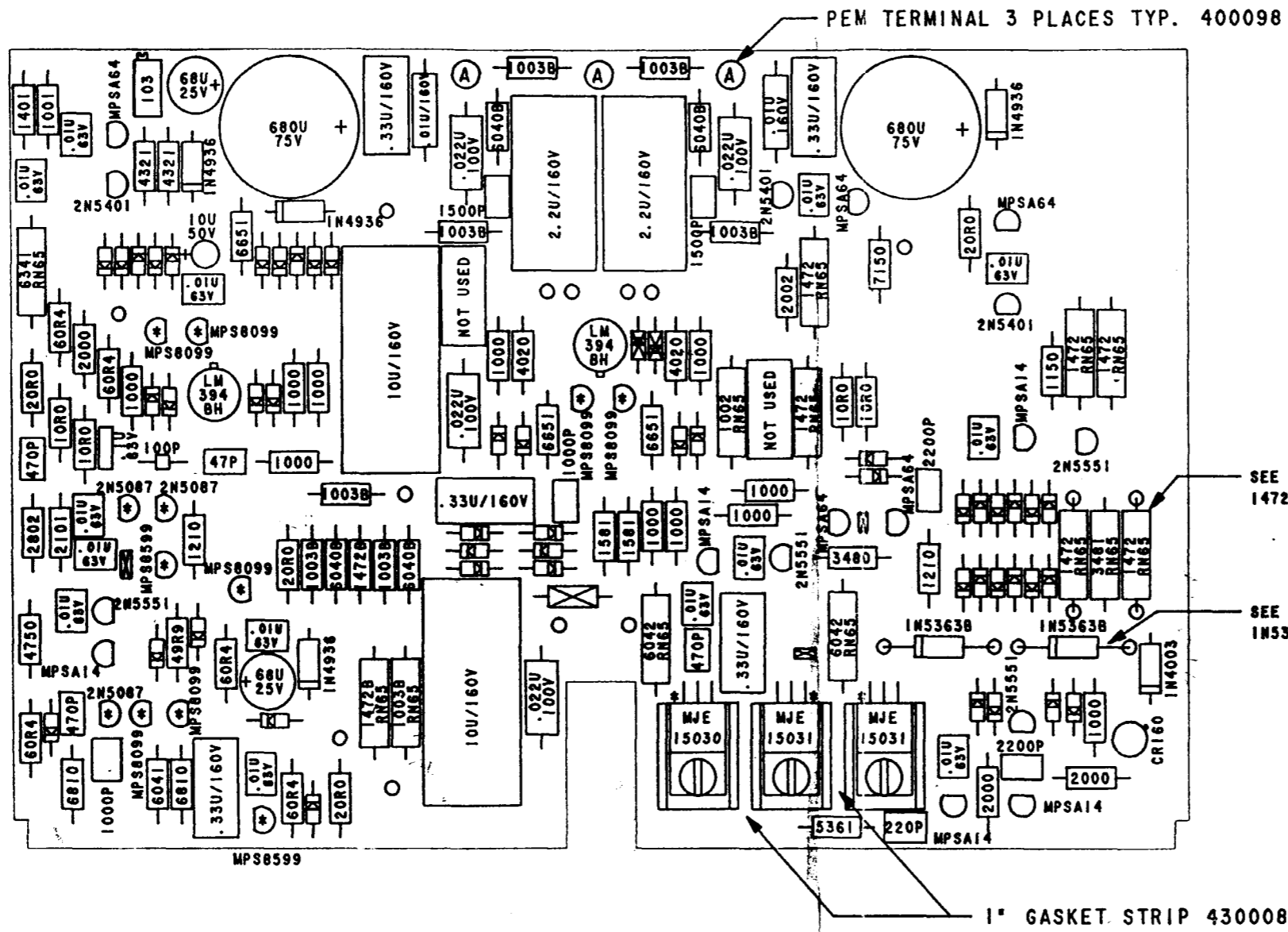
Release date: _____

Type of release: Prototype Pilot
 1st production Revision

Comments: _____

Drafting approval: *G.A.* Engineering approval: *MM*
Issued by: *Daryl Bradley* Signature Date: *3-29-92*

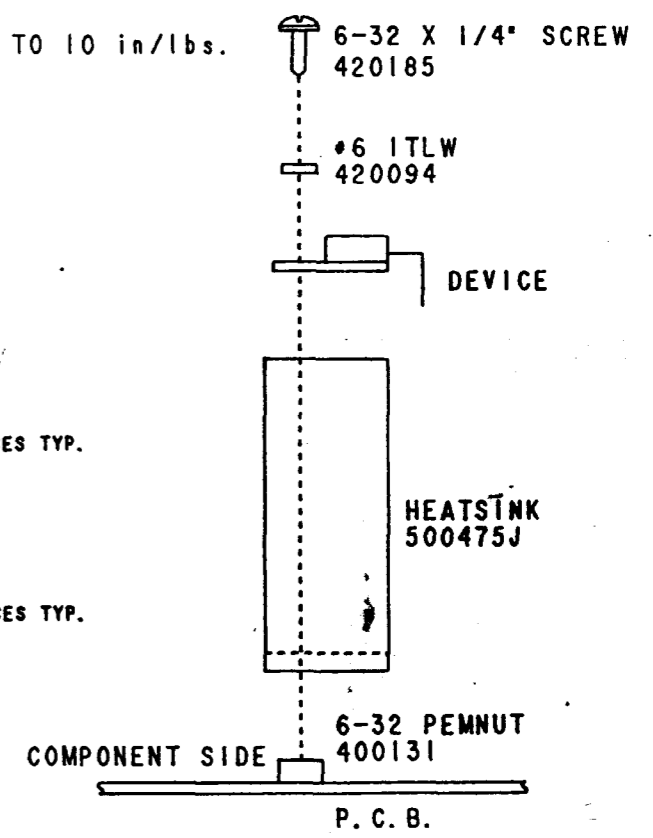
MADRIGAL audio_laboratories, inc. 2081 south main street middletown connecticut 06457 u.s.a.				SHEET	OF	SIZE
MATERIAL				A	B	C
USED IN No. 27.5				D	E	R
NAME AC-8 ASS'Y DWG NOCODE				NO. 940779		
TOLERANCES UNLESS SPECIFIED						
FRACTION ± .010						
DECIMAL ± .005						
ANGLE ± 1/2°						
DR. BY A.M.		DATE 3-20-92				
CH. BY		DATE				
ISSUE	REVISION	DATE	SCALE			



TORQUE TO 10 in/lbs.

SEE DETAIL B 2 PLACES TYP. 1472 RN65

SEE DETAIL B 2 PLACES TYP. IN5363B



DETAIL A

* MATCHED PART
ALL DIODES ARE IN914B UNLESS OTHERWISE SPECIFIED.

PLACE SPACERS ON
CR9, CR10 IN5363B
R28, R30 1472 RN60



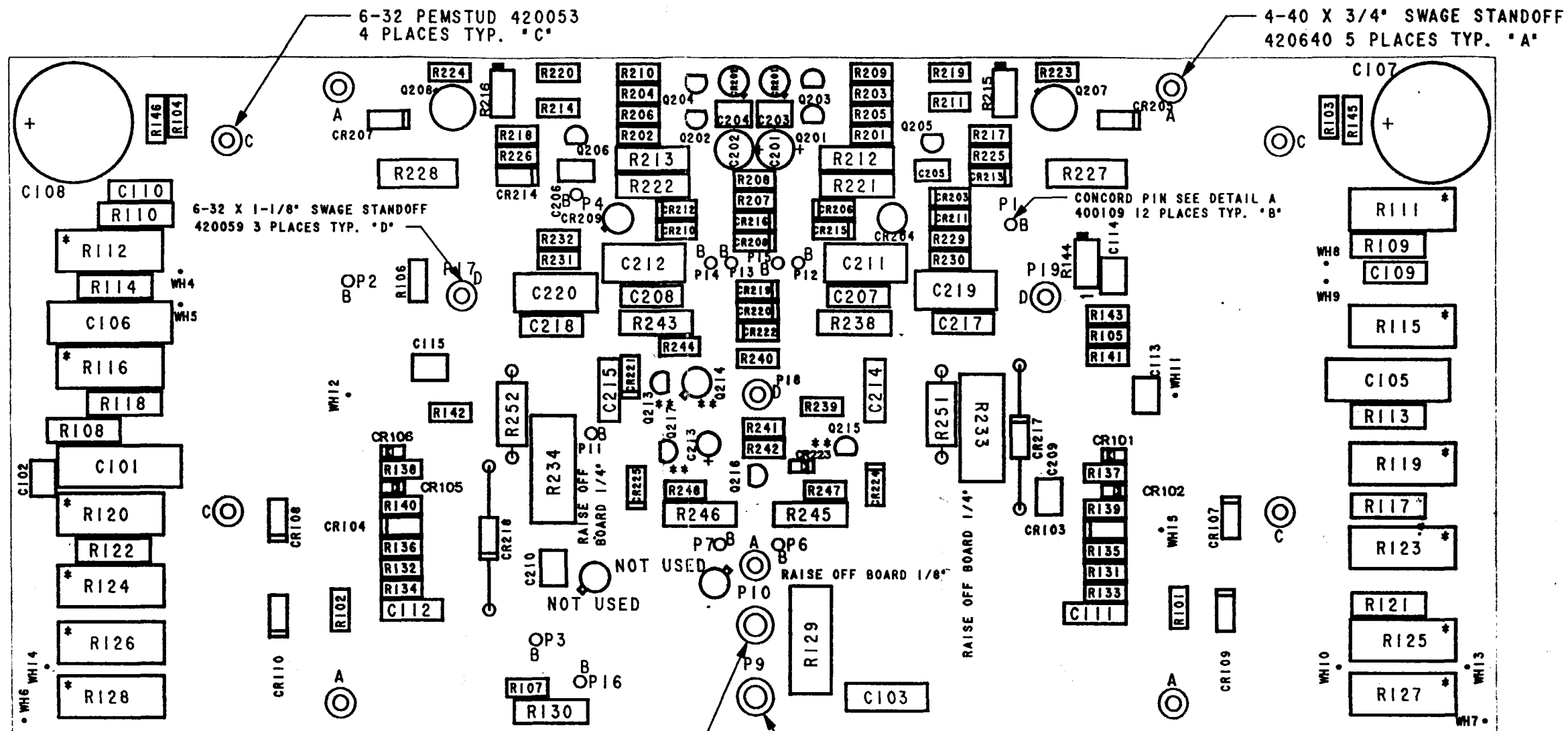
P. C. B.

DETAIL B

ORIGINAL IN RED	
Part No.	580186C
OR	940782
Private	
Reference detail	
Type of release	<input checked="" type="checkbox"/> Prototype <input checked="" type="checkbox"/> Pilot
	<input type="checkbox"/> 1st production <input type="checkbox"/> Revision
Comments	
Drafting approval: <i>[Signature]</i>	Engineering approval: <i>[Signature]</i>
Issued by: <i>[Signature]</i>	Date: 3-24-92

ISSUE	REVISION	DATE	SCALE

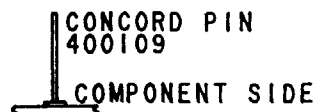
MADRIGAL audio_laboratories, inc.					
2081 south main street middletown connecticut 06457 u.s.a.					
MATERIAL			SHEET	OF	SIZE
USED IN			A	B	C
No. 27.5			D	E	R
NAME			NO.		
AC-8.5 ASS'Y DWG NOCODE			940782		



CR217, CR218-1N5355B
OR
R251, R252-2K40/GS3T0

SPACER 3 PER LEAD
400028

DETAIL B
SPACER MOUNTING



DETAIL A
CONCORD PIN MOUNTING

‡ RAISE OFF BOARD 1/8"
** SORTED TRANSISTORS

NOTE:
| ALL RESISTORS ARE RN60D UNLESS OTHERWISE SPECIFIED.

ORIGINAL IN RED

Part: 580185A
OR
Print: 940778A

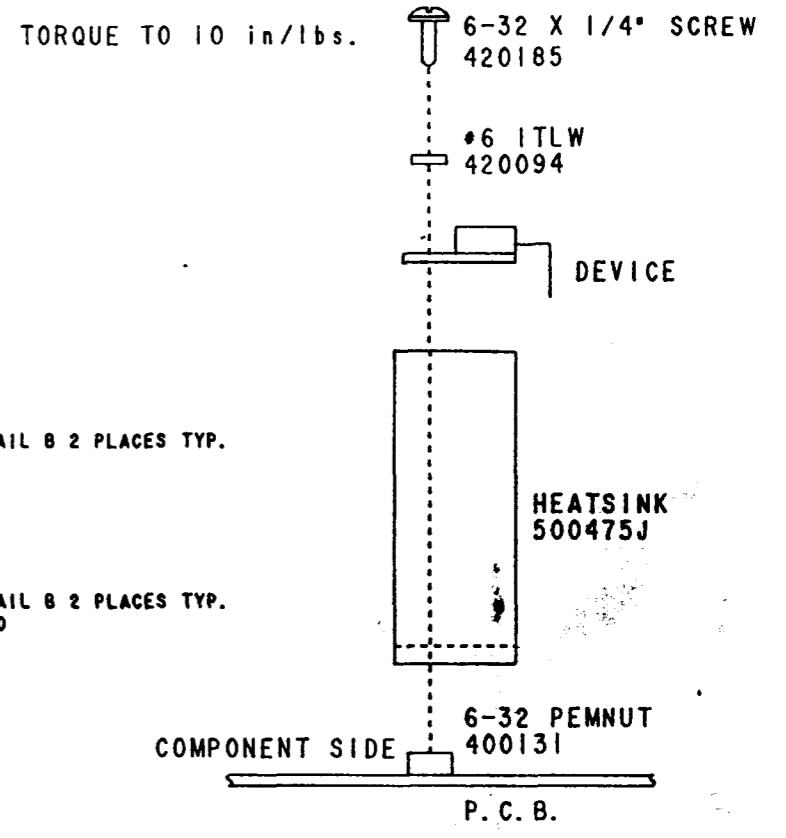
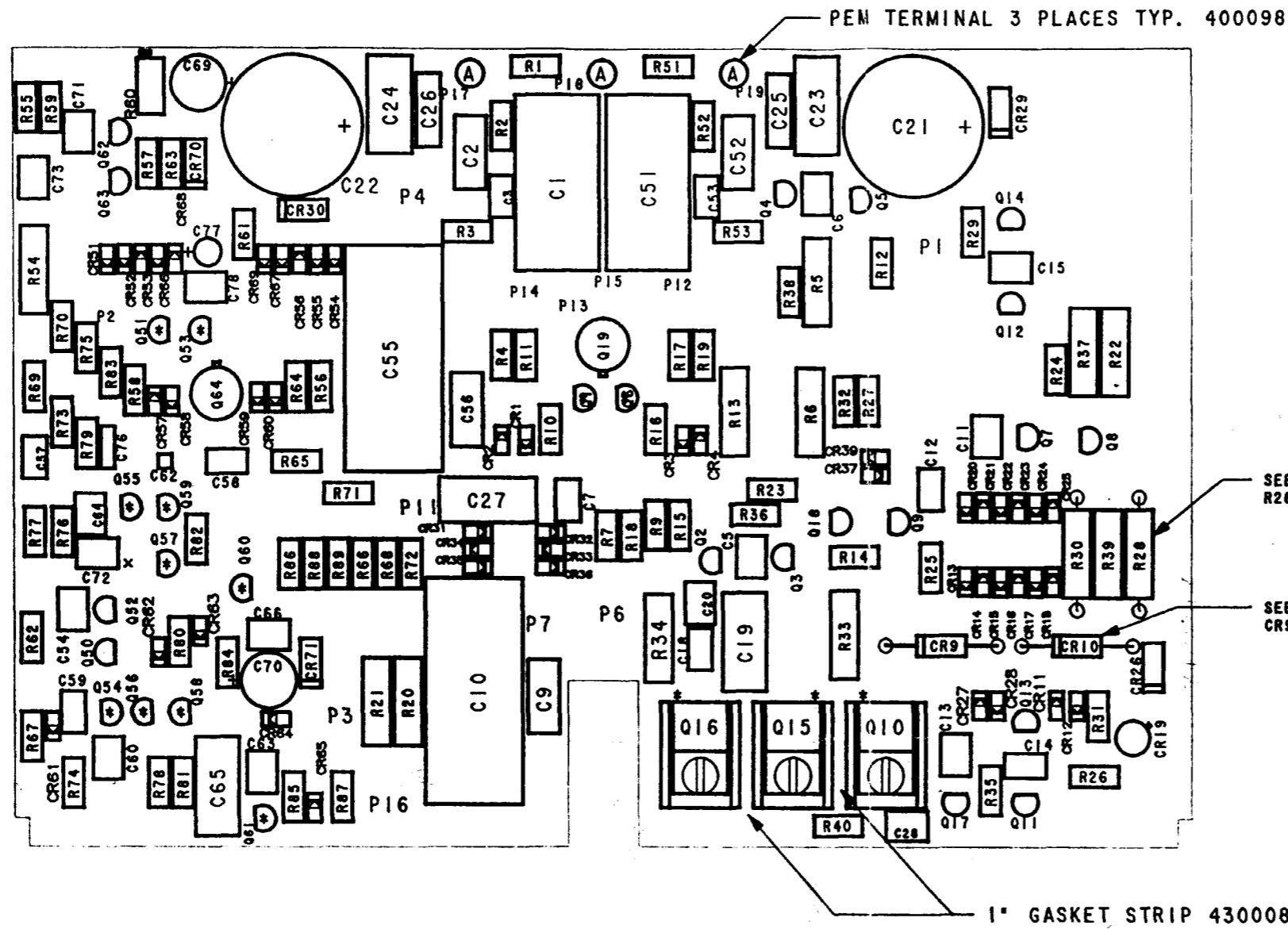
Release date: _____

Type of release: Prototype Pilot
 1st production Revision

Comments: _____

Drafting approval: *G.A.* Engineering approval: *MM*
Issued by: *Dwight Bradley* Date: 7-29-92

		TOLERANCES UNLESS SPECIFIED		MADRIGAL audio_laboratories, inc.						
		FRACTION ± .010		2081 south main street middletown connecticut 06457 u.s.a.						
		DECIMAL ± .005		MATERIAL		SHEET		OF		SIZE
		ANGLE ± 1/2°		USED IN		91		C		B
A		CIRCUIT CHANGED		No. 27.5						
ISSUE		REVISION		NAME						
		DATE		AC-8 ASS'Y DWG						940778A
		SCALE								



DETAIL A

* MATCHED PART
ALL DIODES ARE IN914B UNLESS OTHERWISE SPECIFIED.

PLACE SPACERS ON
CR9, CR10 IN5363B
R28, R30 1472 RN60



P. C. B.
DETAIL B

ORIGINAL IN RED

Part No. 580186C
OR
Print No. 940781C

Release date _____

Type of release: Prototype Pilot
 1st production Revision

Comments _____

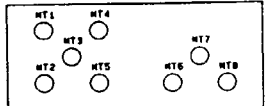
Drafting approval: *[Signature]* Engineering approval: *[Signature]*
Issued by: *[Signature]* Date: 3-24-92

ISSUE	REVISION	DATE	SCALE
C	CIRCUIT CHANGE	2-20	
B	CIRCUIT CHANGE	12-30	
A	CIRCUIT CHANGE		

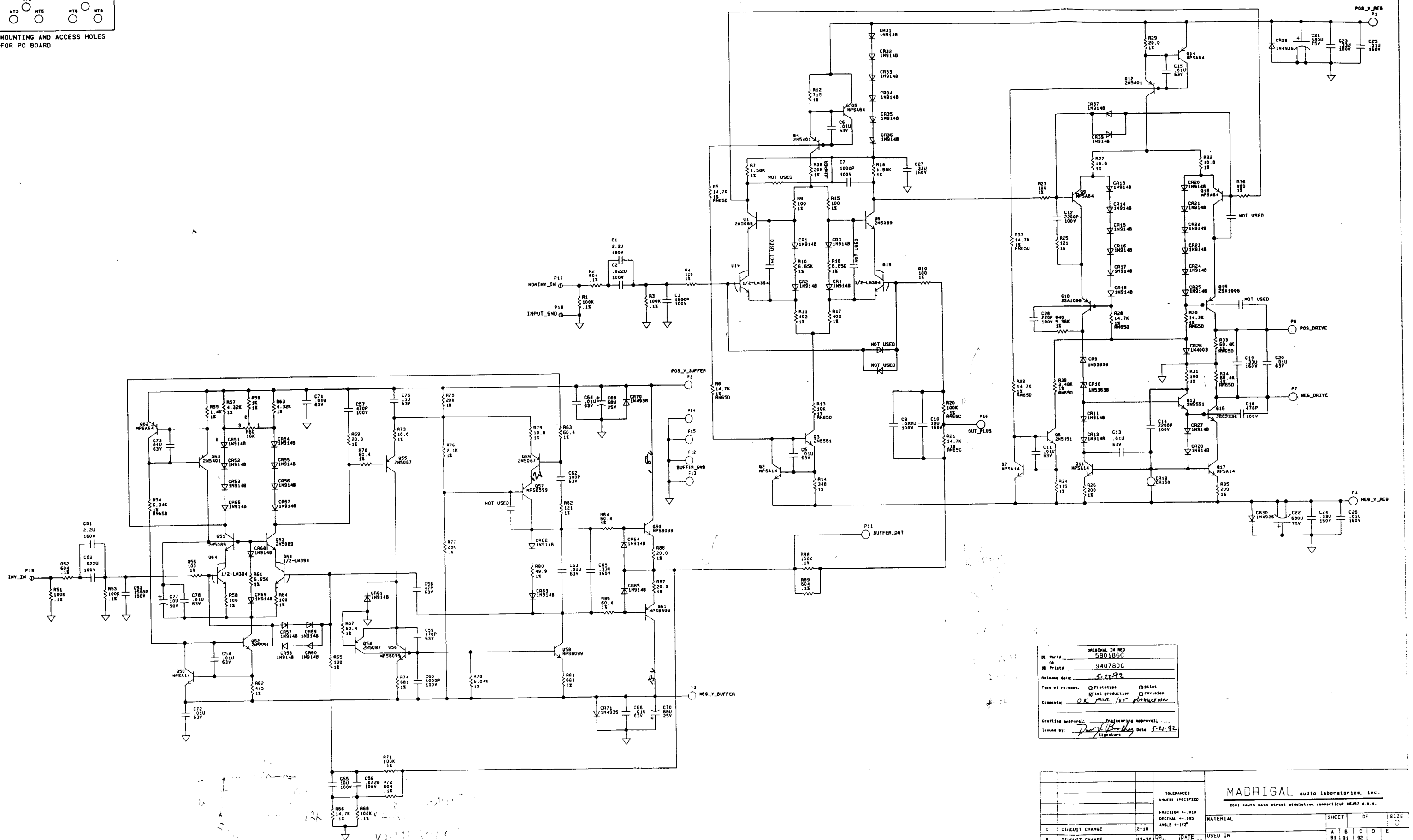
MADRIGAL audio_laboratories, inc.
2081 south main street middletown connecticut 06457 u.s.a.

TOLERANCES UNLESS SPECIFIED
FRACTION ± .010
DECIMAL ± .005
ANGLE ± 1/2°

MATERIAL	SHEET	OF	SIZE
USED IN No. 27.5	A 91	B 91	C 92
NAME AC-8.5 ASS'Y DWG	NO. 940781C		



MOUNTING AND ACCESS HOLES FOR PC BOARD



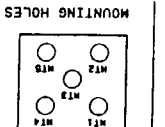
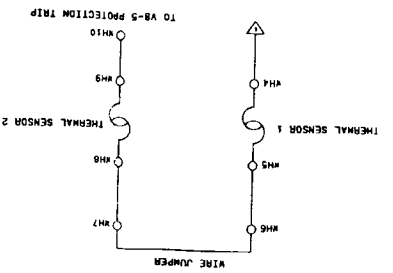
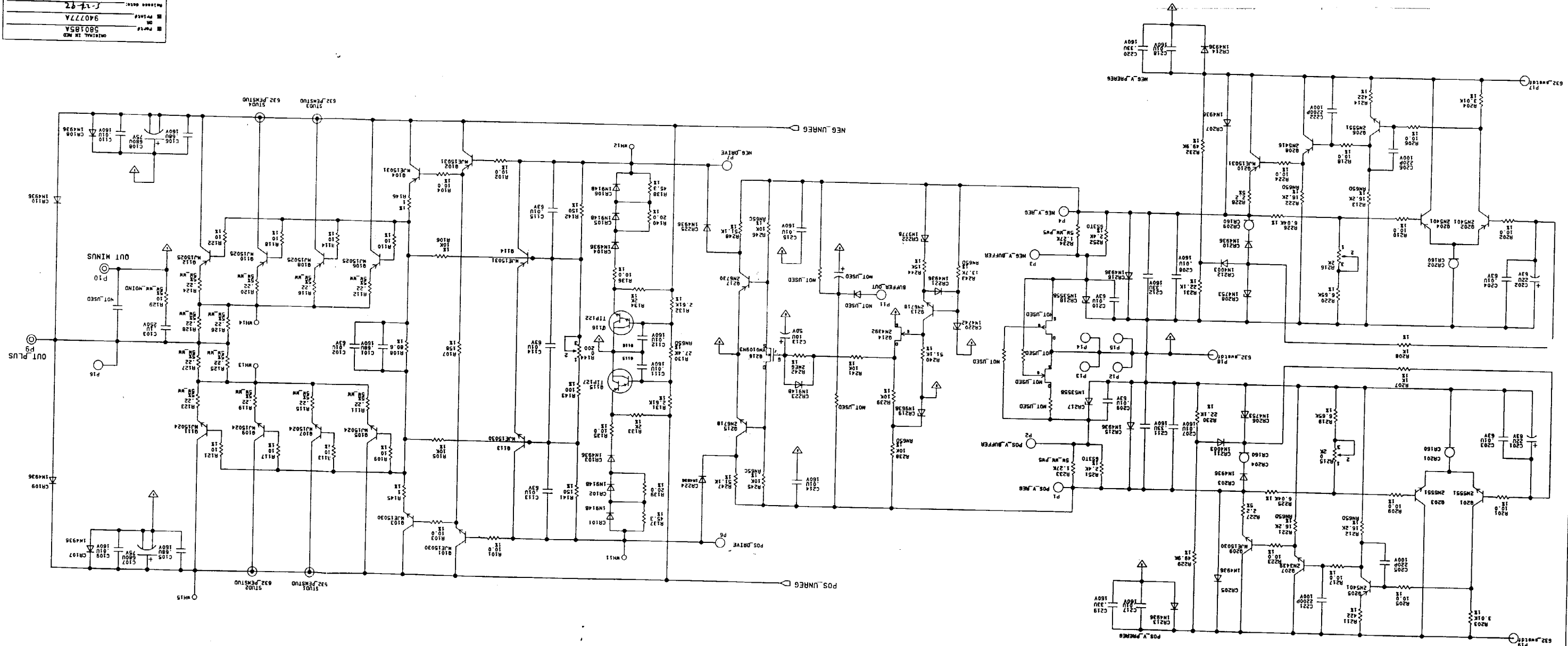
ORIGINAL IN RED
 Part: 580186C
 OR 940780C
 Print: 940780C
 Release date: 5-22-92
 Type of release: Prototype Pilot
 1st production revision
 Comments: OK FOR 1st PRODUCTION
 Drafting approval: _____
 Issued by: _____ Date: 5-21-92

TOLERANCES UNLESS SPECIFIED		MATERIAL		SHEET OF SIZE	
FRACTION	DECIMAL	ANGLE	USED IN	A	B
1/16	0.0625	15°	NO. 27.5	91	91
1/32	0.03125	30°	NAME	92	92
1/64	0.015625	45°	ACB 5	93	93
3/32	0.09375	60°		94	94
1/8	0.125	75°		95	95
3/16	0.1875	90°		96	96
1/4	0.25	105°		97	97
5/16	0.3125	120°		98	98
3/8	0.375	135°		99	99
7/16	0.4375	150°		100	100
1/2	0.5	165°			
5/8	0.625	180°			
3/4	0.75				
7/8	0.875				
1	1.0				

Handwritten notes and markings on the schematic, including "12k" near resistor R66 and "V0-1000" near resistor R71.

ISSUE	REVISION	DATE	SCALE
A	CIRCUIT CHANGE	12-2-61	1:1
NAME AC-8			
NO. 91			
USED IN			
DATE 5-15-61			
MATERIAL			
SHEET OF			
SIZE D			
MADRIGAL AUDIO LABORATORIES, INC.			
2001 NORTH MAIN STREET, BOSTON, MASSACHUSETTS 02112, U.S.A.			

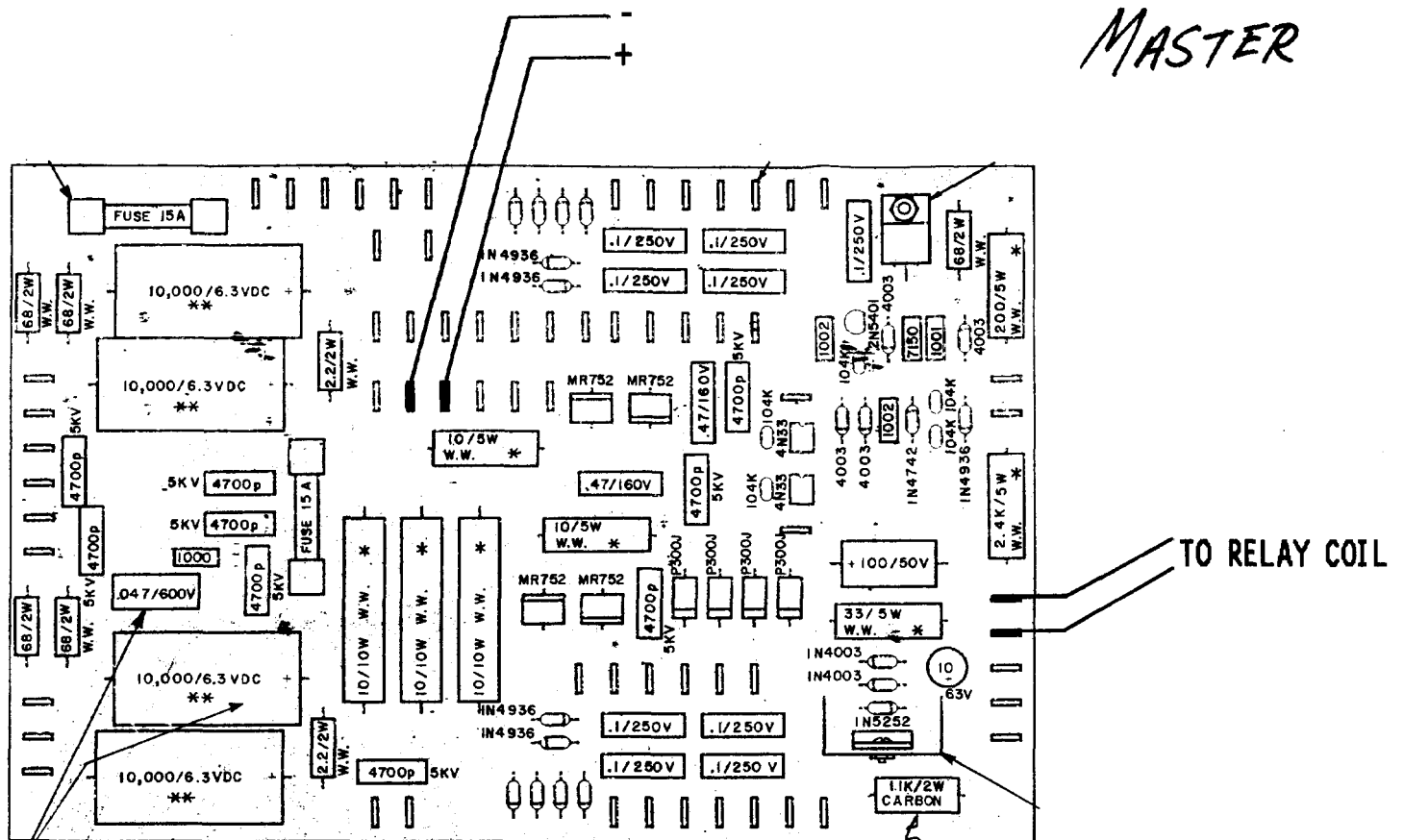
DRAWING APPROVED: *[Signature]*
 CHECKED BY: *[Signature]*
 TYPE OF RELEASE: PRODUCTION DATA
 NUMBER OF COPIES: 1-1-61
 PART NO. 940777A
 QTY. 500185A
 ORIGINAL IN NO. 940777A



MOUNTING HOLES FOR BOARD

**VB-5 TEST PROCEDURE
(No.27.5)**

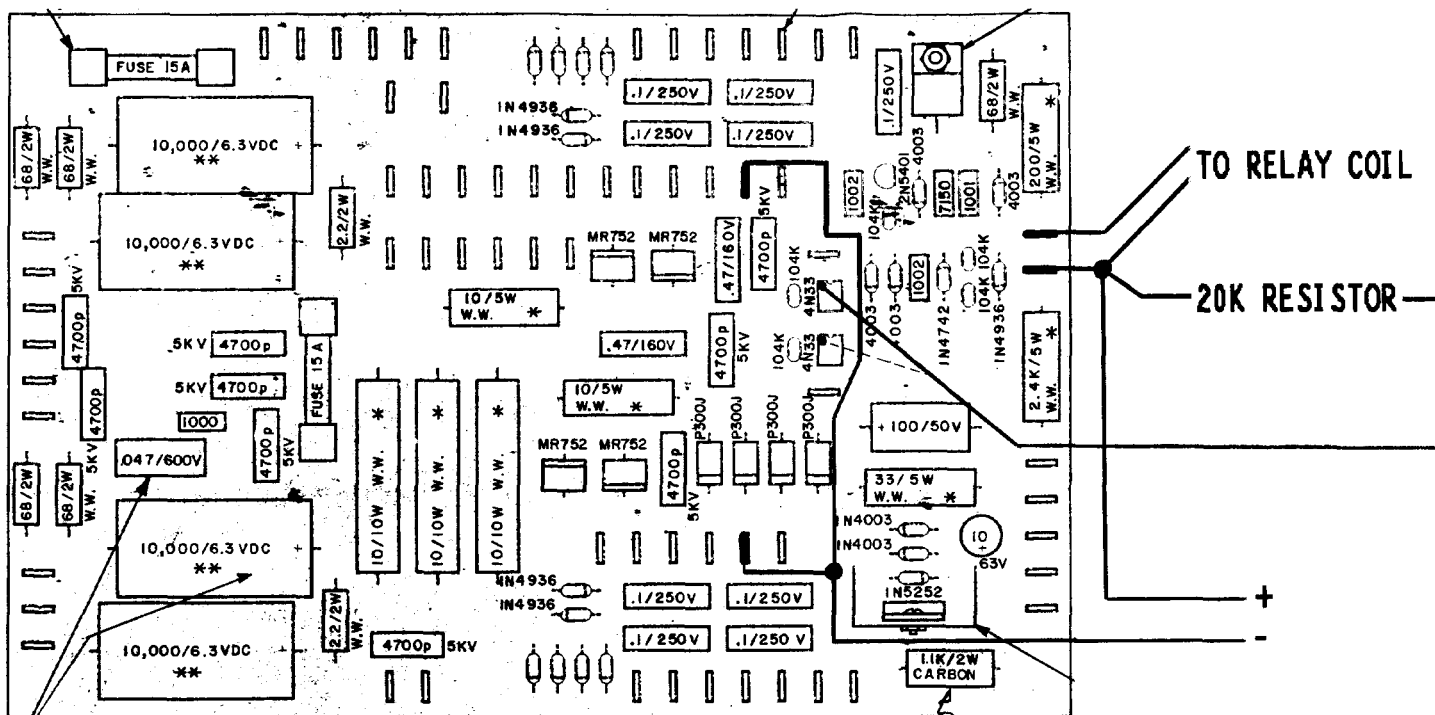
- 1) SLOW TURN ON TEST:
 - A) USE +30 VDC
 - B) CONNECT POS (+) LEAD TO P30
 - C) CONNECT NEG (-) LEAD TO P31
 - D) CONNECT RELAY COIL ACROSS P52 AND P53
 - E) TURN ON DC POWER SUPPLY
 - F) RELAY SHOULD ENERGIZE AFTER APPROXIMATELY 1.5 SECONDS



SLOW TURN ON TEST

2) CIRCUIT PROTECTION TEST:

- A) USE +30 VDC
- B) CONNECT POS (+) LEAD TO P65
- C) CONNECT NEG (-) LEAD TO P36 AND P42
- D) CONNECT RELAY COIL ACROSS P65 AND P66
- E) TURN ON DC POWER SUPPLY
- F) CONNECT 20K RESISTOR ACROSS P65 AND PIN 1 OF EITHER OPTO-COUPLER
- G) RELAY SHOULD ENERGIZE
- H) TURN DC POWER SUPPLY OFF
- I) REPEAT PROCEDURE #2 FOR REMAINING OPTO-COUPLER



CIRCUIT PROTECTION