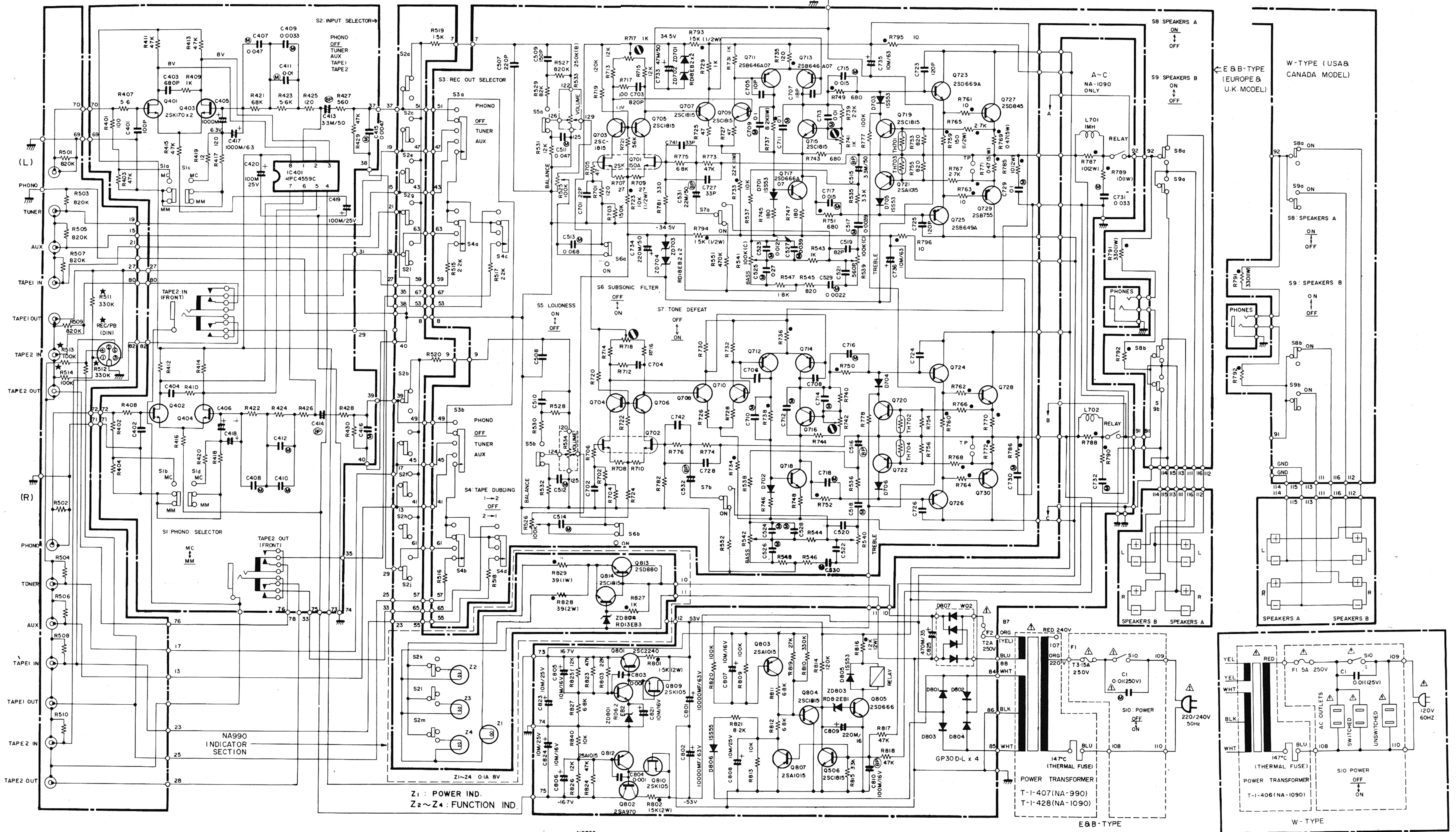
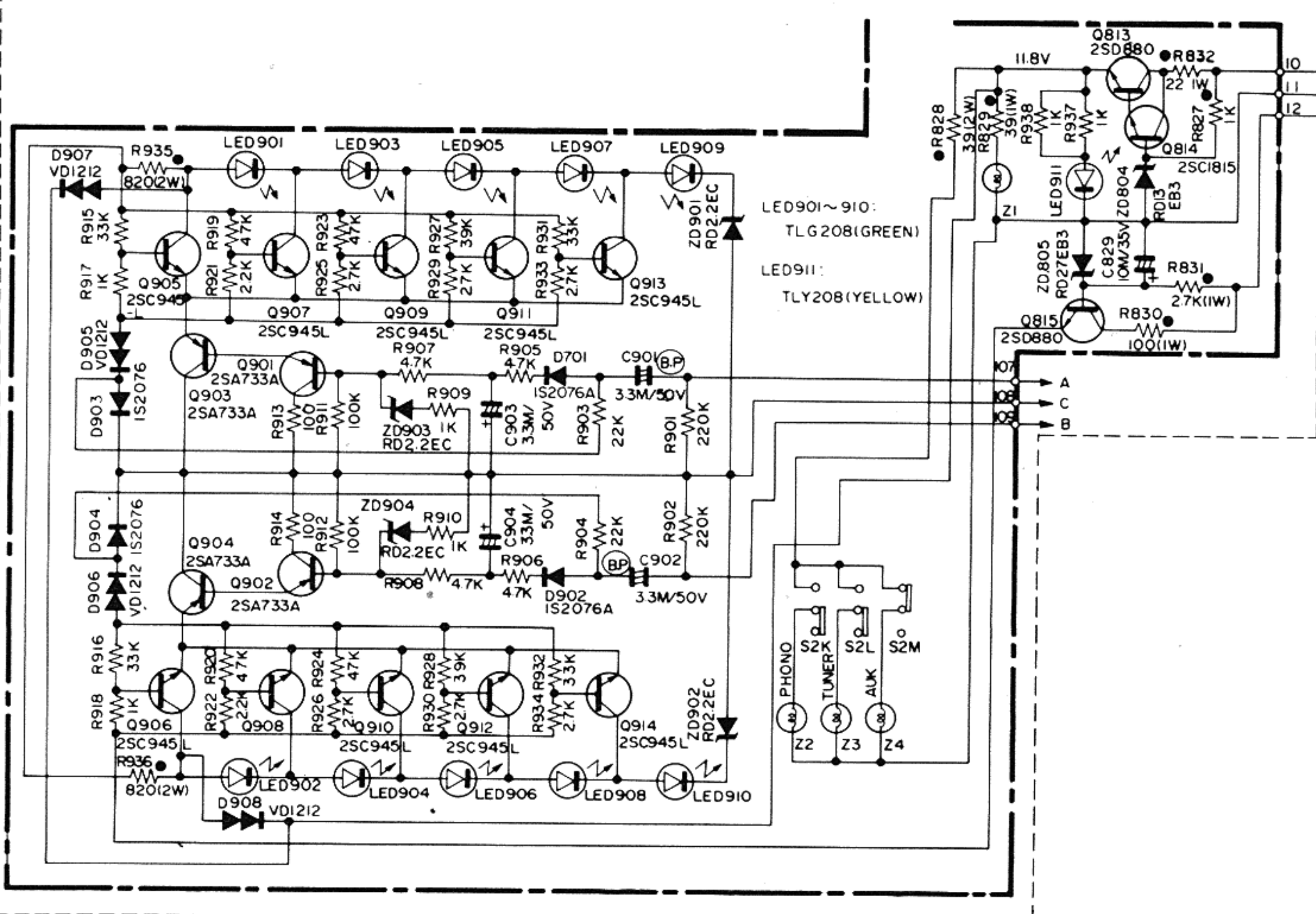


SCHEMATIC DIAGRAM

NIKKO NA990/NA1090



NA-1090 POWER LEVEL INDICATOR & REGULATOR SECTION



- NOTES:**
- SCHEMATIC IS SUBJECT TO CHANGE WITHOUT NOTICE.
 - RESISTANCE VALUES ARE IN OHMS. $\times = 1,000$ M = 1,000,000
 - CAPACITANCE VALUES 1.0 AND ABOVE ARE IN μF OR μF IF μF , M = μF , LESS THAN 1.0 ARE IN nF . (ELECTROLYTIC CAPACITANCE VALUES ARE IN $\mu F/W.V.$)
 - VOLTAGES ARE MEASURED TO CHASSIS GROUND WITH A "DC VOLTMETER".
 - RESISTORS R511 - R514 AND DIN CONNECTOR ARE DELETED FOR W-TYPE.

- SCHEMATIC SYMBOLS:**
- POLYESTER FILM CAPACITOR
 - BIPOLAR CAPACITOR
 - NONFLAMMABLE RESISTOR

WARNING:

INDICATES SAFETY CRITICAL COMPONENTS. FOR CONTINUED SAFETY, REPLACE SAFETY CRITICAL COMPONENTS ONLY WITH MANUFACTURER'S RECOMMENDED PARTS.

