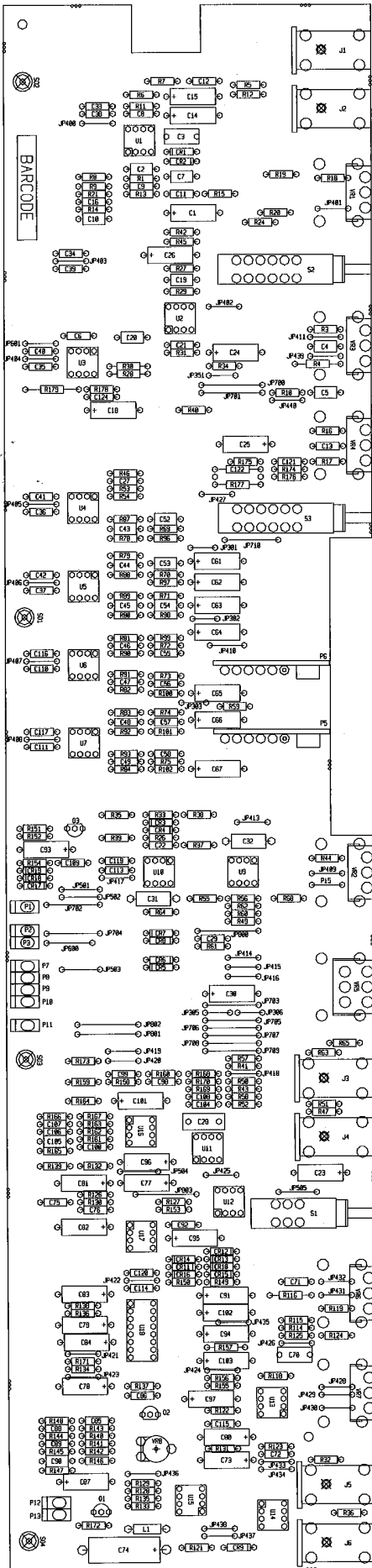


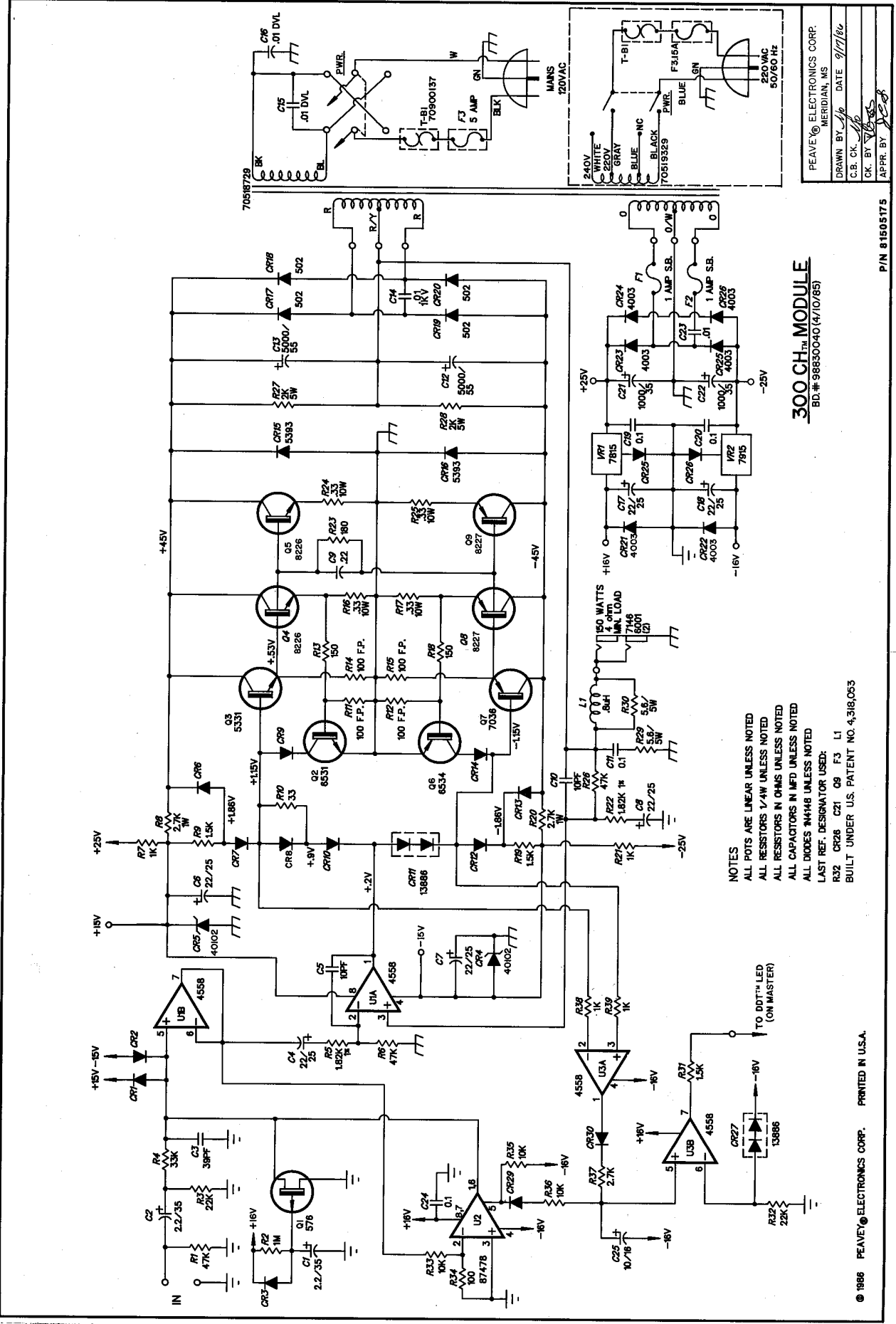
THIS UNIT OPERATES AT 115V AC. THE UNIT IS NOT TO BE OPERATED AT 220V AC. THE UNIT IS NOT TO BE OPERATED AT 240V AC. THE UNIT IS NOT TO BE OPERATED AT 250V AC. THE UNIT IS NOT TO BE OPERATED AT 260V AC. THE UNIT IS NOT TO BE OPERATED AT 270V AC. THE UNIT IS NOT TO BE OPERATED AT 280V AC. THE UNIT IS NOT TO BE OPERATED AT 290V AC. THE UNIT IS NOT TO BE OPERATED AT 300V AC.

PARTY ELECTRONICS CORP.	
TNT 1155	
REV.	DATE
1	11/15/55
2	11/15/55
3	11/15/55
4	11/15/55

TNT 115 Sheffield



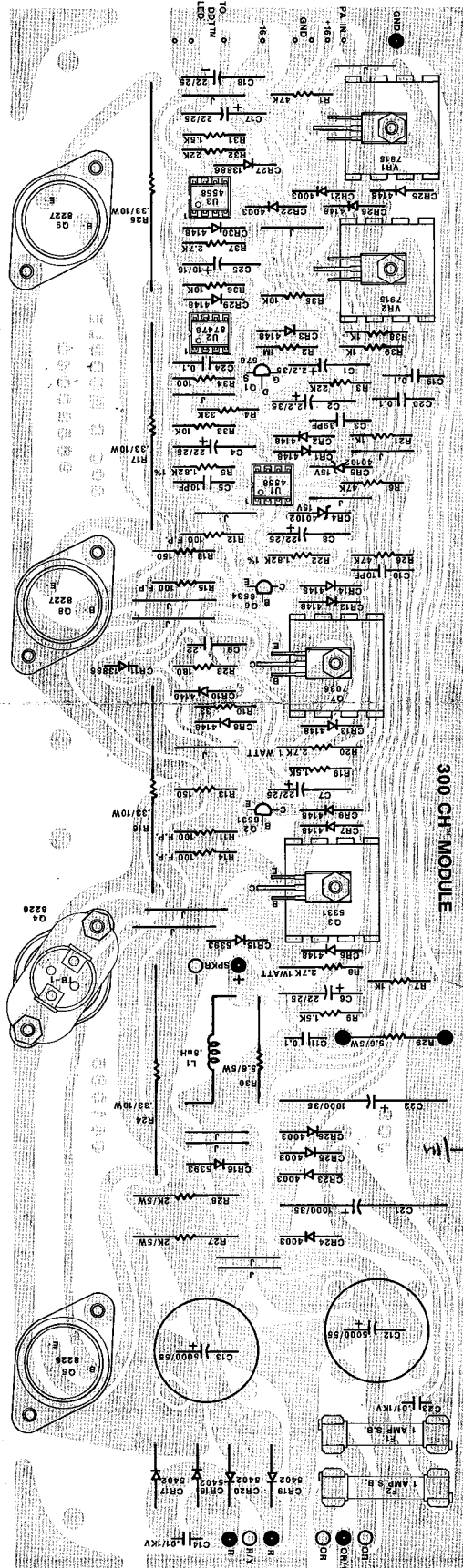
1 47K	47K	70240031	47K-1/4M-5-CF-TAR	1 1.5K	1.5K	70240038	1.5K-1/4M-5-CF-TAR
1 39K	39K	70240048	39K-1/4M-5-CF-TAR	1 2.2K	2.2K	70240020	2.2K-1/4M-5-CF-TAR
1 15K	15K	70240027	15K-1/4M-5-CF-TAR	1 3.9K	3.9K	70241093	3.9K-1/4M-5-CF-TAR
2 12K	12K	70240057	12K-1/4M-5-CF-TAR	1 22K	22K	70240029	22K-1/4M-5-CF-TAR
7 1.5K	1.5K	70240048	1.5K-1/4M-5-CF-TAR	2 47K	47K	70240031	47K-1/4M-5-CF-TAR
1 10K	10K	70240025	10K-1/4M-5-CF-TAR	1 1K	1K	70240017	1K-1/4M-5-CF-TAR
1 22K	22K	70240029	22K-1/4M-5-CF-TAR	1 1.5K	1.5K	70240018	1.5K-1/4M-5-CF-TAR
1 470K	470K	70240038	470K-1/4M-5-CF-TAR	1 47K	47K	70240008	47K-1/4M-5-CF-TAR
1 100	100	70240010	100-1/4M-5-CF-TAR	1 47K	47K	70240031	47K-1/4M-5-CF-TAR
1 22K	22K	70240029	22K-1/4M-5-CF-TAR	2 47K	47K	70240031	47K-1/4M-5-CF-TAR
1 22	22	70240007	22-1/4M-5-CF-TAR	2 10K	10K	70240025	10K-1/4M-5-CF-TAR
1 33K	33K	70240030	33K-1/4M-5-CF-TAR	1 22K	22K	70240029	22K-1/4M-5-CF-TAR
1 4.7K	4.7K	70240023	4.7K-1/4M-5-CF-TAR	1 10K	10K	70240025	10K-1/4M-5-CF-TAR
1 47	47	70240008	47-1/4M-5-CF-TAR	1 PMSW	PMSW	71322289	DRGT P/P CA NPT SWTCH
2 10K	10K	70240025	10K-1/4M-5-CF-TAR	2 DMSW	DMSW	71322288	PC NPT SWTCH DOAL
2 100K	100K	70240034	100K-1/4M-5-CF-TAR	4 118720M	70900366	70900366	HEX SPACER 1 3/16 N/4-10 IN
1 4.7K	4.7K	70240023	4.7K-1/4M-5-CF-TAR	10 4560	70414560	4560	HEX SPACER 1 3/16 N/4-10 IN
1 18K	18K	70240028	18K-1/4M-5-CF-TAR	1 75072	70400926	75072	4560 DUAL OP AMP IC
1 10K	10K	70240025	10K-1/4M-5-CF-TAR	1 595	70420355	595	4560 DUAL OP AMP IC
1 4.7K	4.7K	70240023	4.7K-1/4M-5-CF-TAR	1 NM3101	70403103	NM3101	4560 DUAL OP AMP IC
1 10K	10K	70240034	100K-1/4M-5-CF-TAR	1 NM3007	70403007	NM3007	4560 DUAL OP AMP IC
1 10K	10K	70240025	10K-1/4M-5-CF-TAR	2 4560	70414560	4560	4560 DUAL OP AMP IC
1 6.8K	6.8K	70240024	6.8K-1/4M-5-CF-TAR	1 572	70420372	572	4560 DUAL OP AMP IC
1 1K	1K	70240017	1K-1/4M-5-CF-TAR	2 PGT0510	71390510	71390510	10R LIN MIN VPC W/BACKERT
1 2.2K	2.2K	70240023	2.2K-1/4M-5-CF-TAR	2 50KWB	71390511	71390511	10R LIN MIN VPC W/BACKERT
1 1.5K	1.5K	70240018	1.5K-1/4M-5-CF-TAR	1 PGT0531	71390531	71390531	50R LIN MIN VPC W/BACKERT
1 33K	33K	70240030	33K-1/4M-5-CF-TAR	1 10KWB	71390517	71390517	10R LIN MIN VPC W/BACKERT
1 47K	47K	70240031	47K-1/4M-5-CF-TAR	1 50KAWB	71390512	71390512	50R AUD MIN VPC W/BACKERT
1 47K	47K	70240031	47K-1/4M-5-CF-TAR	1 10KTBIN	71390009	71390009	VAR LIN HOR. PC NPT TALK POT
1 4.7K	4.7K	70240023	4.7K-1/4M-5-CF-TAR	*****	*****	*****	*****
1 6.8K	6.8K	70240024	6.8K-1/4M-5-CF-TAR				
1 22K	22K	70240029	22K-1/4M-5-CF-TAR				
1 47K	47K	70240031	47K-1/4M-5-CF-TAR				
1 4.7K	4.7K	70240023	4.7K-1/4M-5-CF-TAR				
1 33K	33K	70240030	33K-1/4M-5-CF-TAR				
1 22K	22K	70240029	22K-1/4M-5-CF-TAR				
1 2.2K	2.2K	70240023	2.2K-1/4M-5-CF-TAR				



NOTES
 ALL POTS ARE LINEAR UNLESS NOTED
 ALL RESISTORS 1/4W UNLESS NOTED
 ALL RESISTORS IN OHMS UNLESS NOTED
 ALL CAPACITORS IN MFD UNLESS NOTED
 ALL DIODES M4148 UNLESS NOTED
 LAST REF. DESIGNATOR USED:
 R22 CR26 C21 CR9 F3 L1
 BUILT UNDER U.S. PATENT NO. 4,318,053

300 CHTM MODULE
 BD.# 988500-04 (4/10/85)

PEAVEY [®] ELECTRONICS CORP. MERIDIAN, MS
DRAWN BY <i>Sp</i> DATE 9/7/84
C.B. CK. <i>Sp</i>
CHK BY <i>Sp</i>
APPR BY <i>Sp</i>



300 CH
MODULE