

Bauteilestückliste & Schaltplan der SAC PA 50/ 50T

Haftungsausschluß :

*Die Verwendung dieses Dokumentes geschieht auf eigene Gefahr.
Dieses Dokument kann mit Irrtümern und Fehlern behaftet sein.
Für Schäden an Geräten, die durch evtl. Fehler in diesem Dokument
auftreten, kann die SAC GmbH nicht haftbar gemacht werden.*

MAINBOARD and POWER SUPPLY

ITEMS	DESCRIPTION	REMARK
RESISTORS		
R 1	12K 0,6W Metalfilm	
R 2	56R	"
R 3	62R	"
R 4	33K	"
R 5	220R	"
R 6	220R	"
R 7	6,8K	"
R 8	6,8K	"
R 9	1K	"
R 10	220R	"
R 11	1K	"
R 12	7,5K	"
R 13	7,5K	"
R 14	330R (100R)*	"
R 15	330R (100R)*	"
R 16	100R	"
R 17	1K	"
R 18	510R	"
R 19	100R	"
R 20	8,2K (change to C7)*	"
R 21	8,2K (not used)*	"
R 22	10R	"
R 23	470R	"
R 24	470R	"
R 25	200R	"
R 26	3K	"
R 27	3K	"
R 28	200R	"
R 29	51R	"
R 30	180R	"
R 31	100R	"
R 32	100R	"
R 33	180R	"
R 34	51R	"
R 35	0,2R 3W Metalfilm 5%	
R 36	0,2R 3W Metalfilm 5%	
R 37	18R 0,6W Metalfilm 1%	
R 38	18R	"
R 39	15K	"
R 40	100K	"
R 41	56K	"
R 42	56K	"
R 43	56K	"
R 44	56K	"
R 45	18K	"

NOTE: The components identified by mark * are parts of SAC 50 T.

MAINBOARD and POWER SUPPLY

ITEMS	DESCRIPTION	REMARK
RESISTORS		
R 46	18K 0,6W Metalfilm 1%	
R 47	47K "	
R 48	220K "	
R 49	33K "	
R 50	56K "	
R 51	1,5K "	
R 52	680R 2W Carbon 5%	
VARIABLE RESISTOR		
P 1	.5K Cermet 25-turn Adjust	
P 2	470R Cermet Adjust	
CAPACITORS		
C 1	270pF/ 63V Film 5%	
C 2	680pF/ 63V Film 5%	
C 3	10nF Ceramic /(0,15uF/63V Film)*	
C 4	10nF Ceramic /(0,15uF/63V Film)*	
C 5	0,1uF/ 63V Film 10%	
C 6	0,1uF/ 63V Film 10%	
C 7	not used (47pF/ 63V Styrene)*	
C 8	220uF/ 10V Electrolytic	
C 9	220uF/ 10V Electrolytic	
C 10	68nF/100V Film 10%	
C 11	10000uF/ 50V Electrolytic	
C 12	10000uF/ 50V Electrolytic	
C 13	not used (0,33uF/ 63V Film 10%)*	
C 14	not used (0,33uF/ 63V Film 10%)*	
C 15	1uF/ 63V Electrolytic	
C 16	22uF/ 25V Electrolytic	
C 17	22uF/ 25V Electrol./(47uF/25V Electrol.)*	
C 18	1uF/ 63V Electrolytic	
C 19	1uF/ 63V Electrolytic	
C 20	0,68uF/ 63V Film 5%	
C 21	0,68uF/ 63V Film 5%	
C 22	! 0,22uF/250VAC Film	SAFETY PART

NOTE: The components identified by mark * are parts of SAC 50 T.

MAINBOARD and POWER SUPPLY

ITEMS	DESCRIPTION	REMARK
DIODE		
D 1	BZX 55 15V	Zener Diode
D 2	1N 4148	
D 3	1N 4148	
D 4	BZX 55 15V	Zener Diode
D 5	1N 4148	
D 6	1N 4148	
D 7	SD 103A	Schottky
D 8	1N 4148	
D 9	1N 4148	
D 10	1N 4148	
D 11	1N 4148	
D 12	SD 103A	Schottky
D 13	1N 4003	
D 14	1N 4148	
D 15	LED	built into Switch

IC

IC 1	AD 797AN	Analog Devices
IC 2	TA 7317P	Toshiba

TRANSISTOR

T 1	BC 546B	
T 2	BC 556B	
T 3	BC 556B	
T 4	BC 556B	
T 5	BC 546B	
T 6	BC 546B	
T 7	2SA 1220A NEC or 2SA 1358	Toshiba full molded
T 8	BD 139-16	Samsung full molded
T 9	2SC 2690A NEC or 2SC 3421	Toshiba full molded
T 10	BC 327-25	
T 11	BC 337-25	
T 12	2SC 2690 NEC or 2SC 3421	Toshiba full molded
T 13	2SC 3263Y	Sanken
T 14	2SA 1294Y	Sanken
T 15	2SA 1220A NEC or 2SA 1358	Toshiba full molded

RELAY

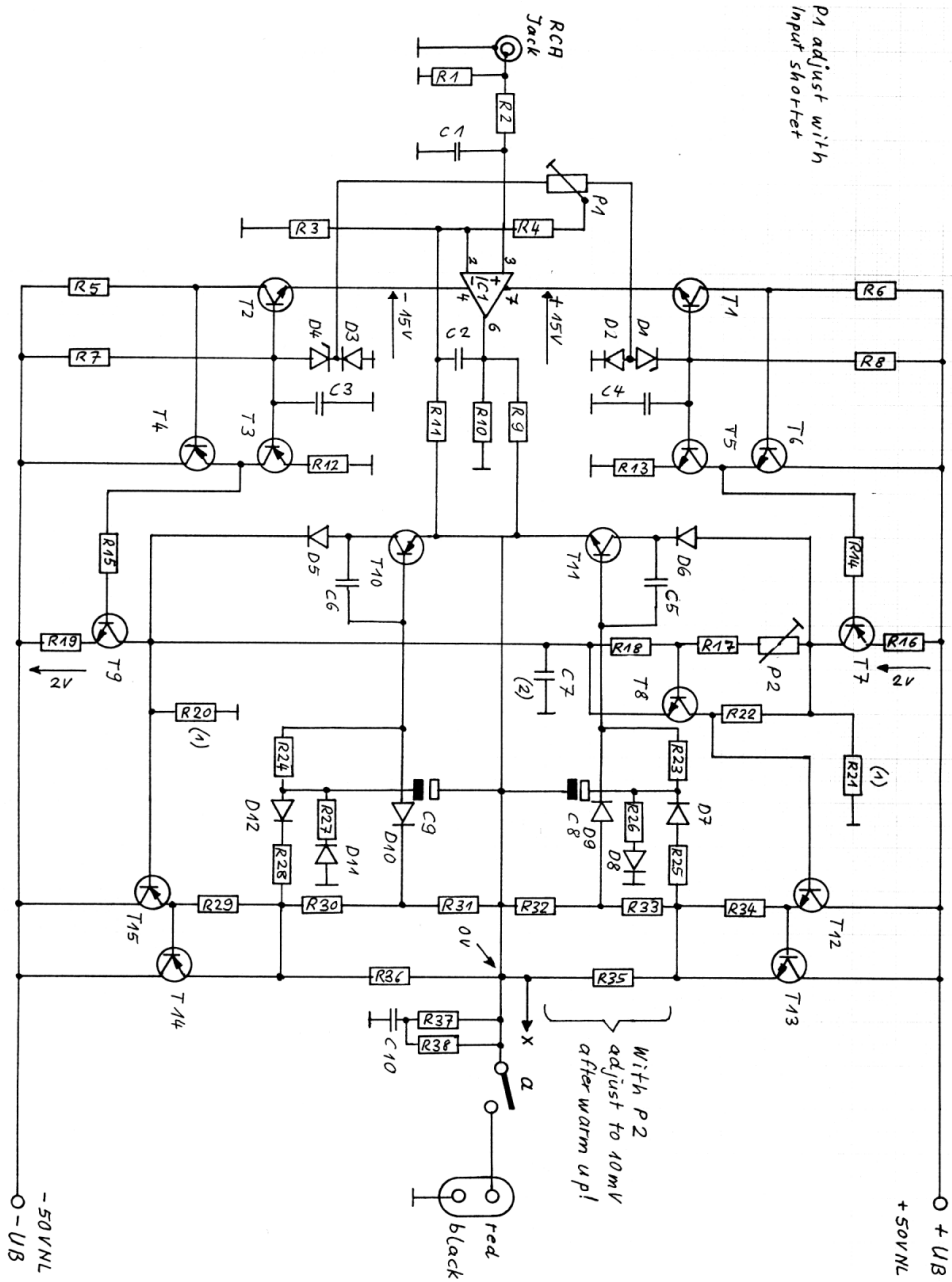
A	40907 Eberle	12V/16A
---	--------------	---------

MAINBOARD and POWER SUPPLY

ITEMS	DESCRIPTION	REMARK
OTHER PARTS		
GR 1	! KBPC 606 Rectifier Bridge	
S 1	! Power Switch	(I 5A at 125V AC) (I 3A at 250V AC)
TRANSFORMER		
TR 1	! Toroidal Power Transformer	R 16033 Pri. 2x115V Sec. 2x 33V/160VA
	! (Toroidal Power Transformer)*	R 25036 Pri. 2x115V Sec. 2x 36V/250VA
F 1	! Fuse 1,6 A/230V time-lag ! Fuse 2 A/115V time-lag	Europe USA, Canadian
	! (Fuse 3,15A/230V time-lag)* ! (Fuse 4 A/115V time-lag)*	Europe USA, Canadian

NOTE:The components identified by mark * are parts of SAC 50 T.

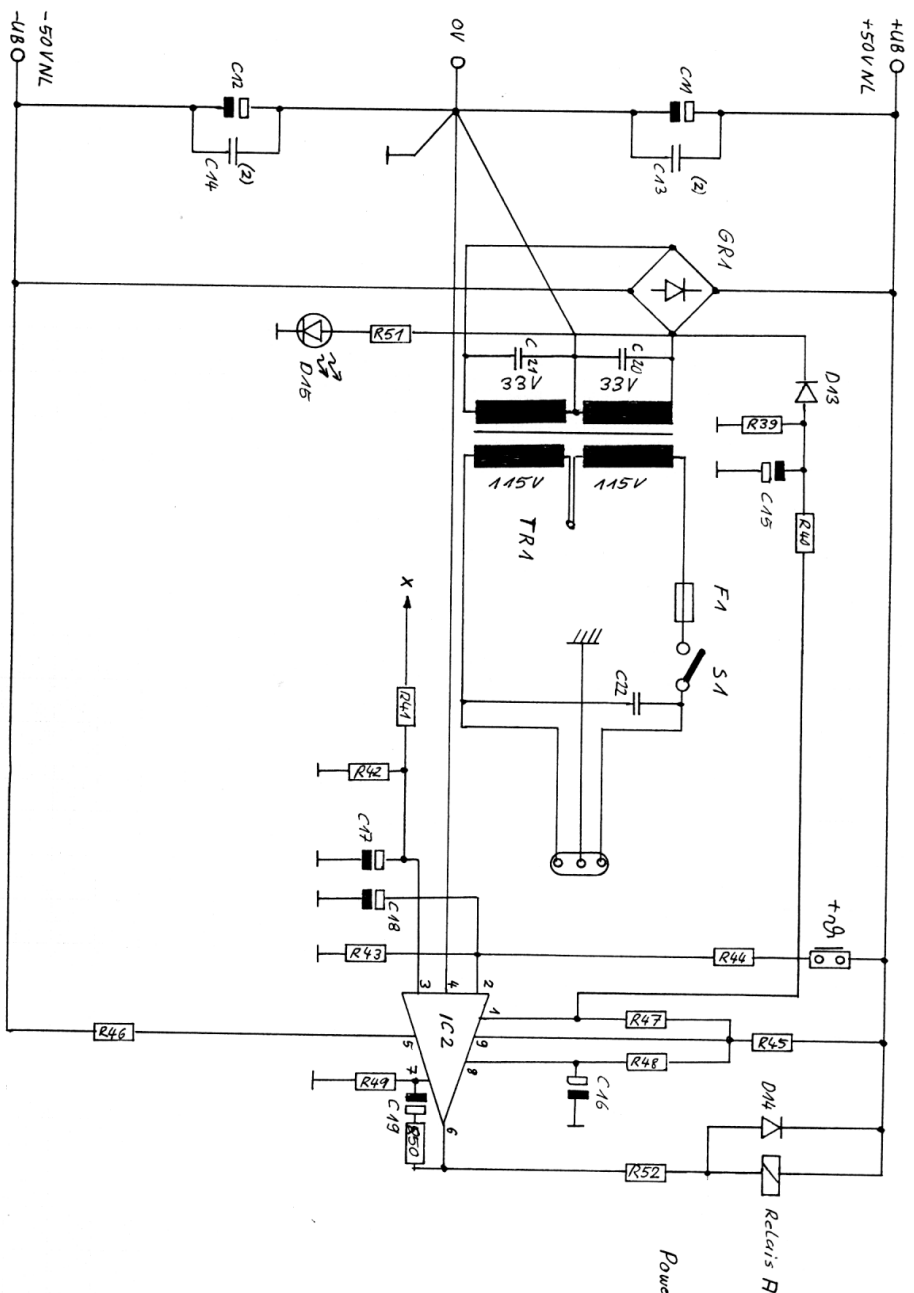
NOTE:The components identified by mark ! are critical for safety.
Replace only with part number specified.



P1 adjust with
input shorted

Power Amplifier SFC50/50T
Amplifier and Current-
Limiter Section, Page 1

1. SFC 50 only
2. SFC 50T only



Power Amplifier SFC 50150T
 Power Supply and
 Protection, Page 2
 2. SFC 50150T only