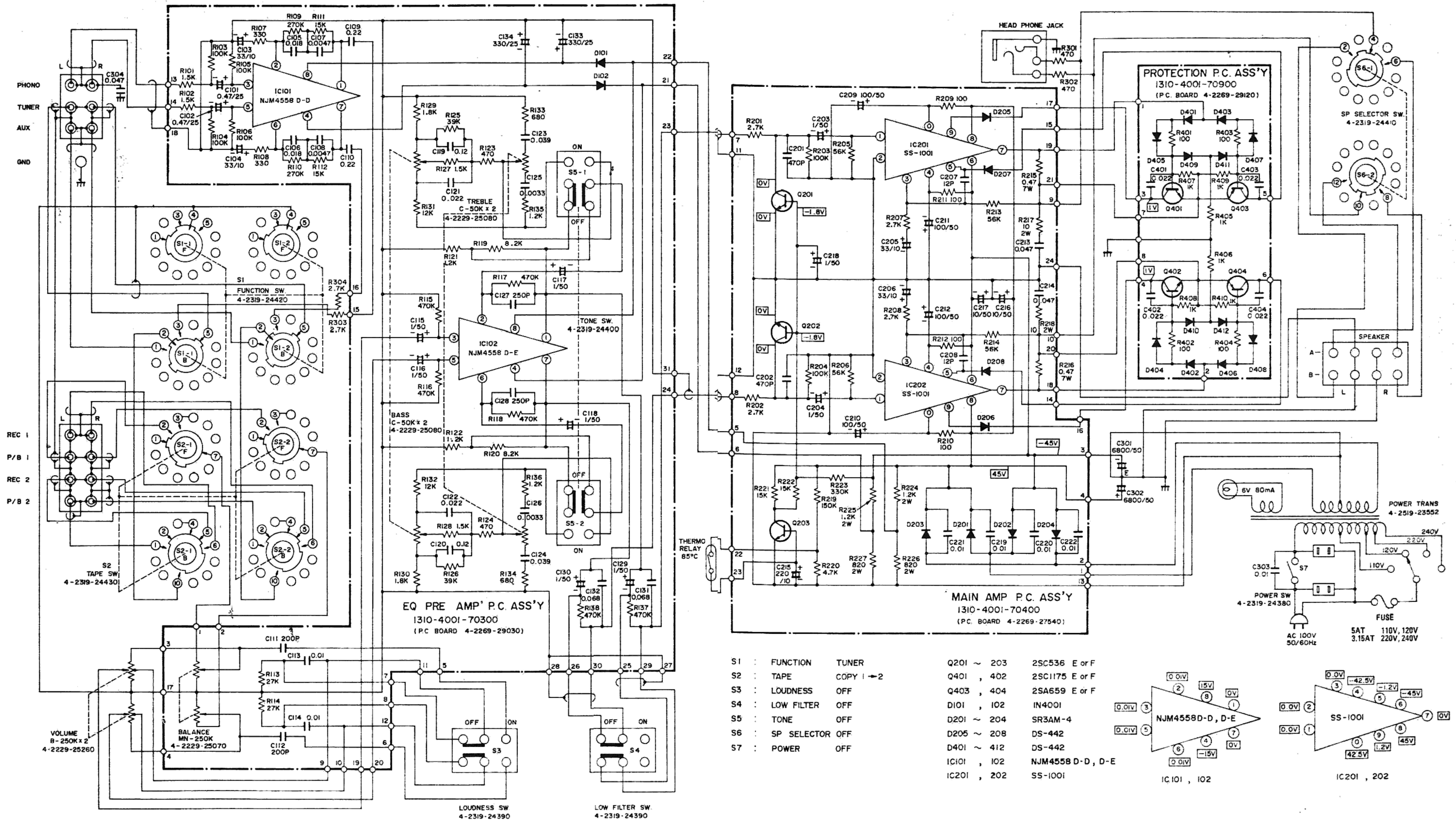


(SCHEMATIC DIAGRAM) (SCHALTPLAN) (DIAGRAMME SCHÉMATIQUE)

Amplifier DCA 1001



- | | | | |
|------------------|------------|------------|------------------|
| S1 : FUNCTION | TUNER | Q201 ~ 203 | 2SC536 E or F |
| S2 : TAPE | COPY 1 → 2 | Q401, 402 | 2SC1175 E or F |
| S3 : LOUDNESS | OFF | Q403, 404 | 2SA659 E or F |
| S4 : LOW FILTER | OFF | D101, 102 | IN4001 |
| S5 : TONE | OFF | D201 ~ 204 | SR3AM-4 |
| S6 : SP SELECTOR | OFF | D205 ~ 208 | DS-442 |
| S7 : POWER | OFF | D401 ~ 412 | DS-442 |
| | | IC101, 102 | NJM4558 D-D, D-E |
| | | IC201, 202 | SS-1001 |

