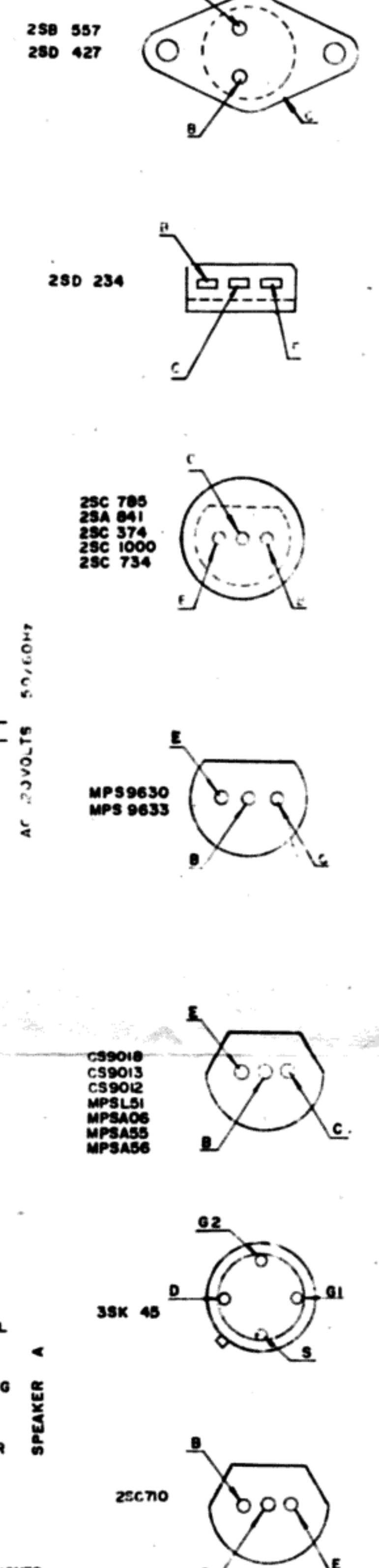
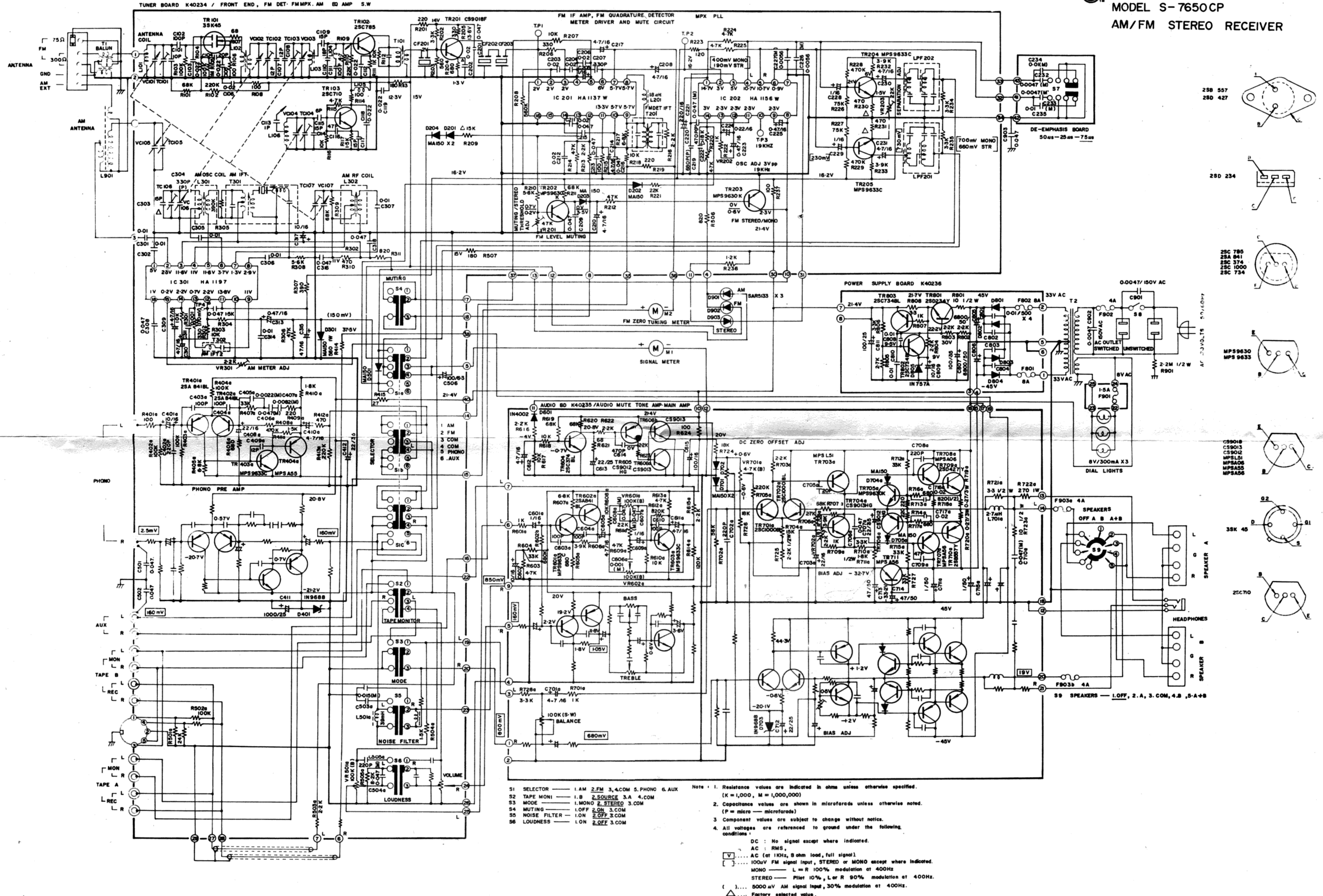


SCHEMATIC DIAGRAM

SHERWOOD
MODEL S-7650 CP
AM/FM STEREO RECEIVER



- S1 SELECTOR — 1.AM 2.FM 3.COM 4.AUX 5.PHONO 6.AUX
- S2 TAPE MONI — 1.B 2.SOURCE 3.A 4.COM
- S3 MODE — 1.MONO 2.STEREO 3.COM
- S4 MUTING — 1.OFF 2.ON 3.COM
- S5 NOISE FILTER — 1.ON 2.OFF 3.COM
- S6 LOUDNESS — 1.ON 2.OFF 3.COM

Note: 1. Resistance values are indicated in ohms unless otherwise specified.
 (K=1,000, M=1,000,000)
 2. Capacitance values are shown in microfarads unless otherwise noted.
 (P=micro, microfarads)
 3. Component values are subject to change without notice.
 4. All voltages are referenced to ground under the following conditions:
 DC: No signal except where indicated.
 AC: RMS,
 AC (at 1KHz, 8 ohm load, full signal).
 100uV FM signal input, STEREO or MONO except where indicated.
 MONO — L=R 100% modulation at 400Hz
 STEREO — Pilot 10%, L or R 90% modulation at 400Hz.
 5000 uV AM signal input, 30% modulation at 400Hz.
 Δ: Factory selected value.