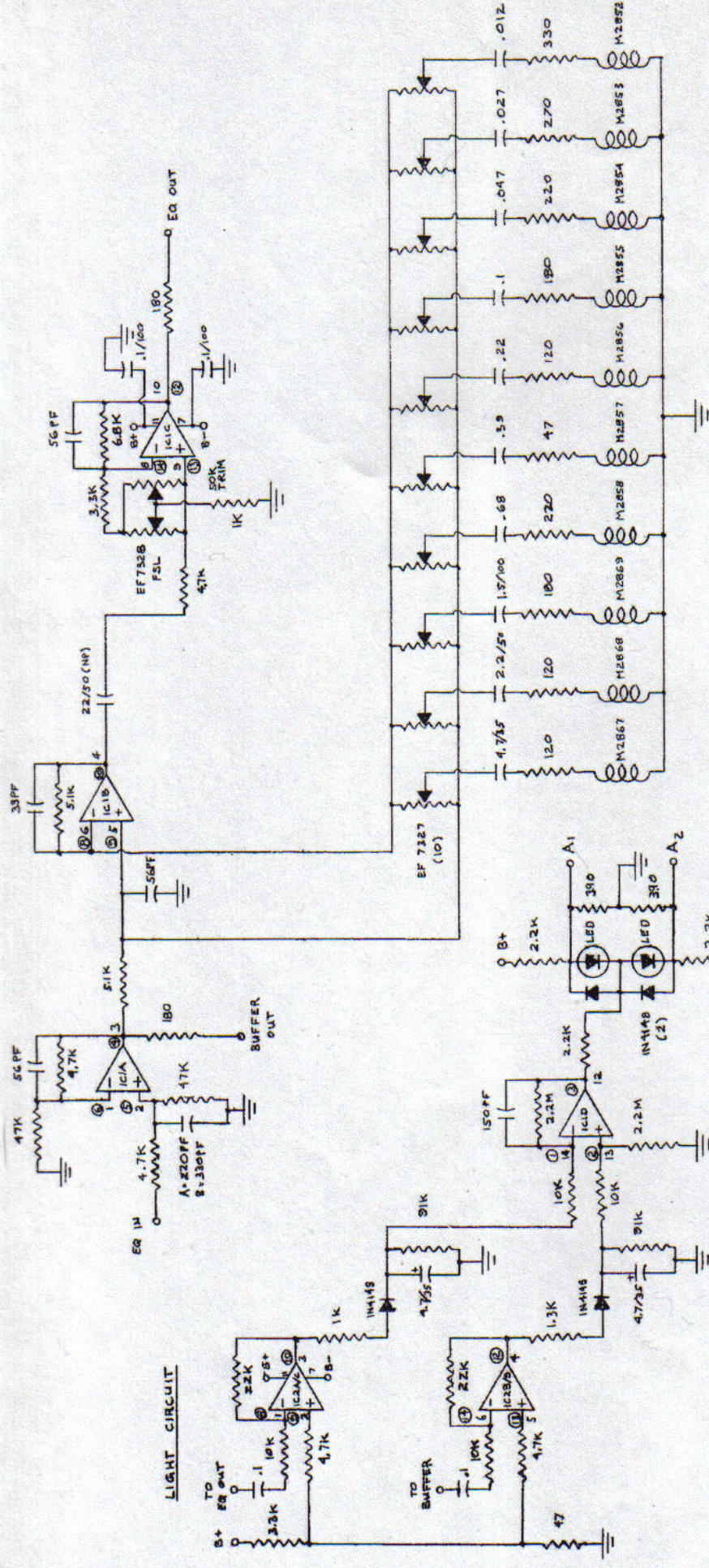
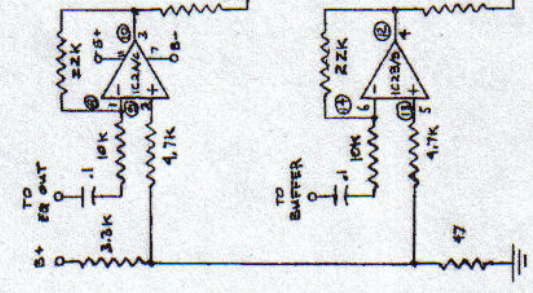


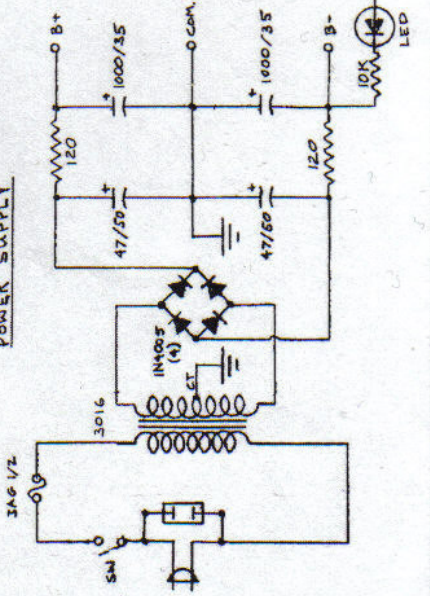
EQUALIZER



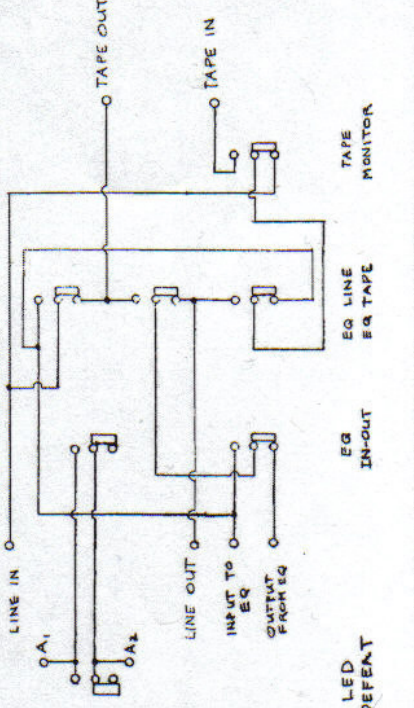
LIGHT CIRCUIT



POWER SUPPLY



SWITCHING



NOTES:
 ① ALL RESISTANCES IN OHMS, ALL CAPACITANCES IN MICROFARADS, UNLESS OTHERWISE SPECIFIED.
 ② ALL IC'S: 4135CCP.
 ③ CIRCLED PIN DESIGNATIONS ARE FOR CHANNEL B

SOUNDCRAFTSMEN
 APPROVED BY: *[Signature]*
 DRAWN BY: JHL
 REVISED
 DATE: 10-20-77
SCHEMATIC EQUALIZER
 DRAWING NUMBER
MODEL RP-2215R
 1463