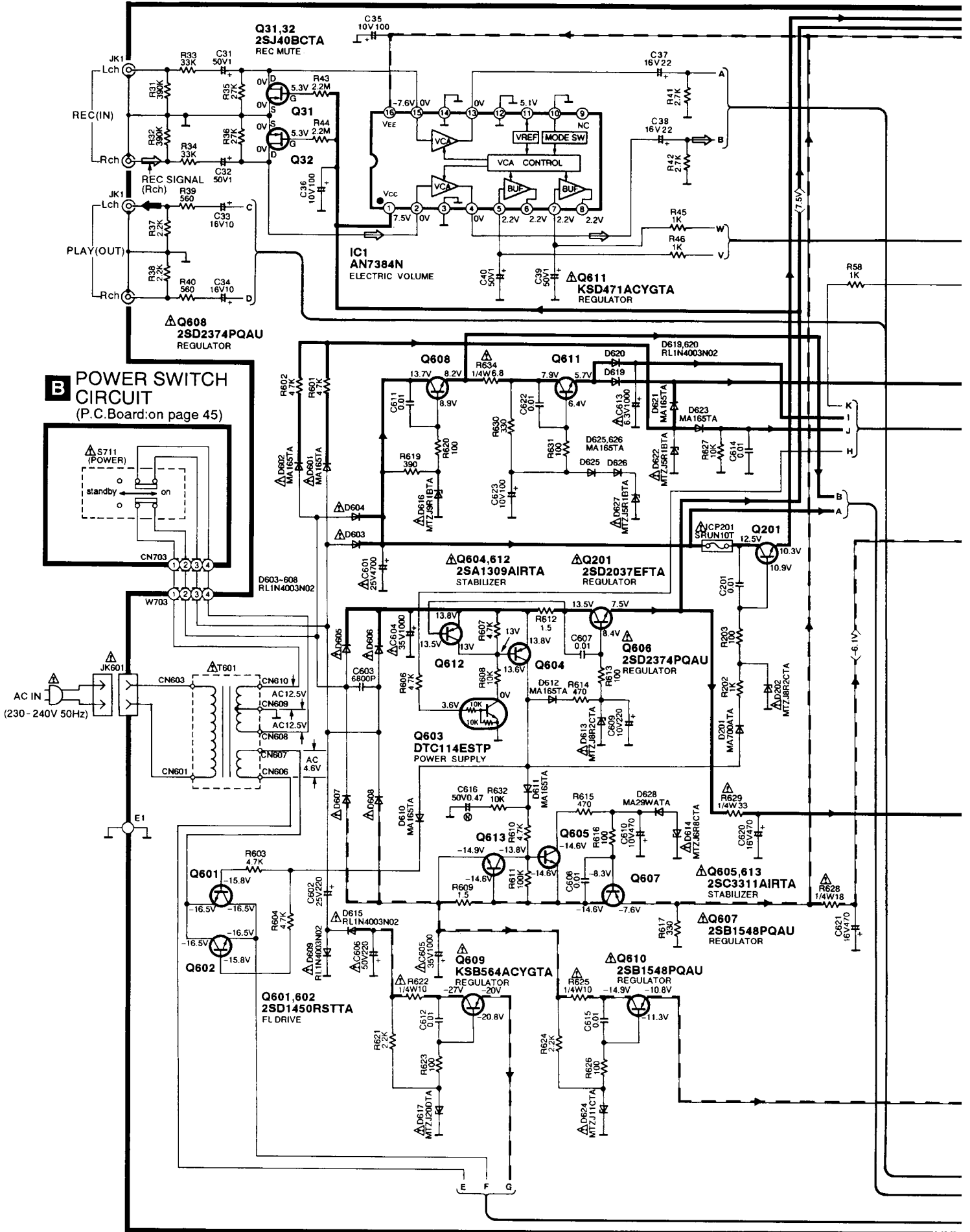
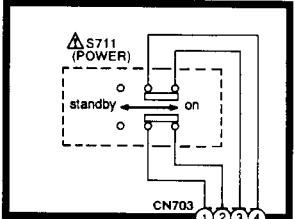
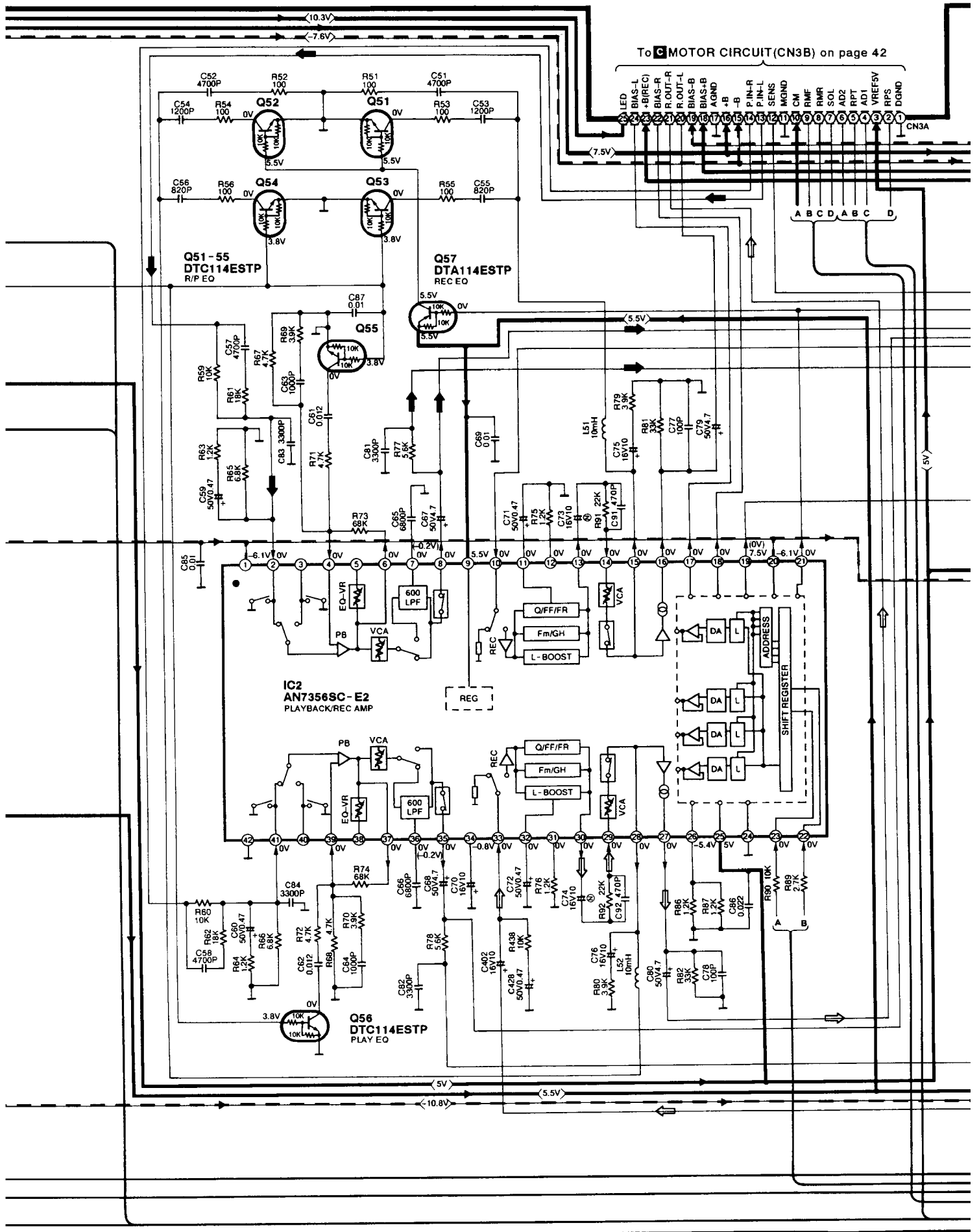


**A** MAIN CIRCUIT (P.C.Board: on page 46)



**B** POWER SWITCH CIRCUIT (P.C.Board: on page 45)





To MOTOR CIRCUIT(CN3B) on page 42

- LED
- BIAS-L
- +BI(REC)
- BIAS-R
- R. OUT-R
- R. OUT-L
- BIAS-B
- BIAS-B
- AGND
- +B
- B
- P.IN-L
- P.IN-R
- SENS
- MGND
- CM
- RMF
- RMR
- SOL
- AD2
- RPT
- AD1
- VREFSV
- RPS
- DGND

A B C D A B C D

IC2  
AN7356SC-E2  
PLAYBACK/REC AMP

Q56  
DTC114ESTP  
PLAY EO

Q57  
DTA114ESTP  
REC EO

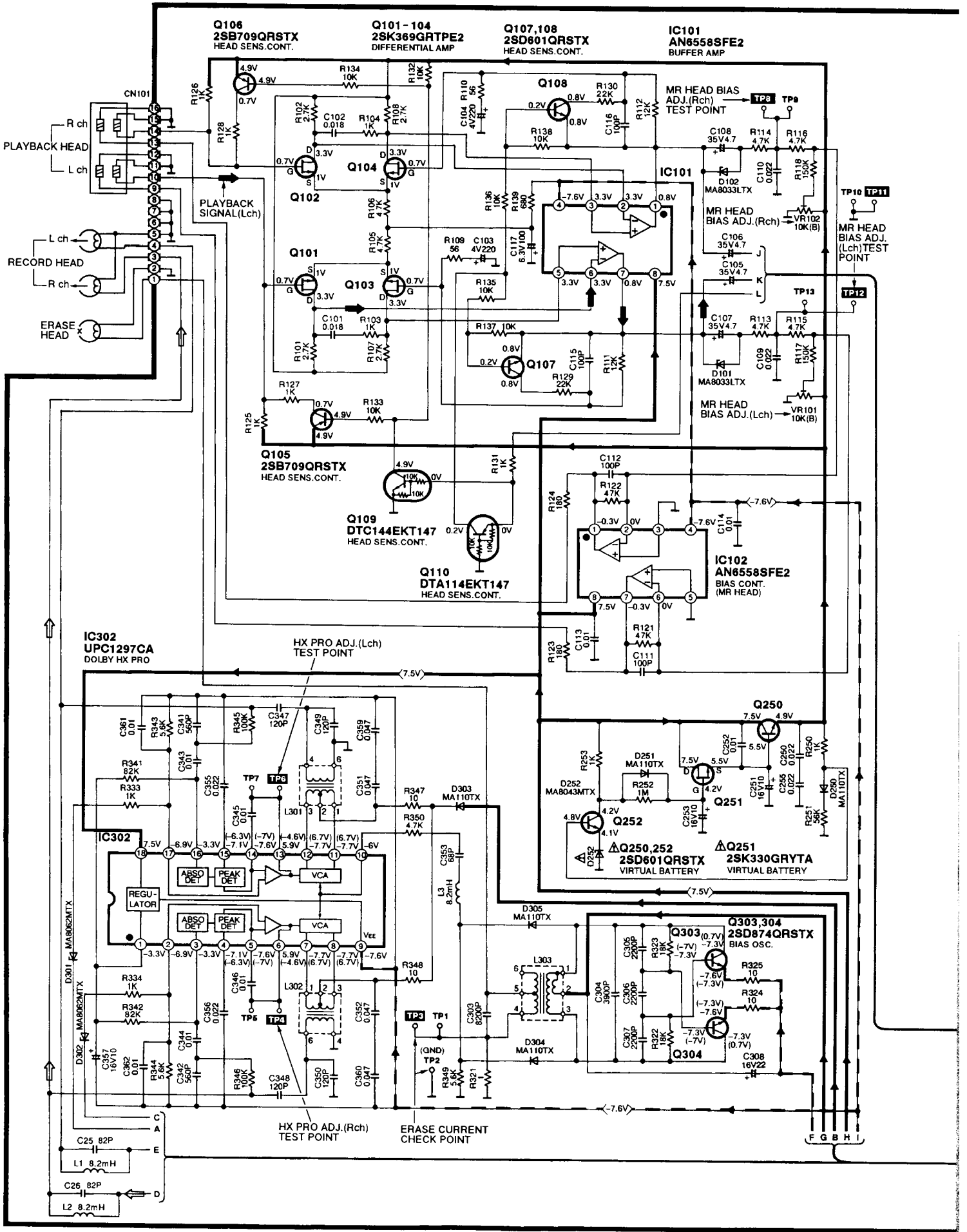
Q51-55  
DTC114ESTP  
R/P EO





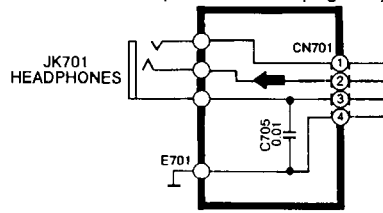


**C** MOTOR CIRCUIT (P.C.Board: on page 44)

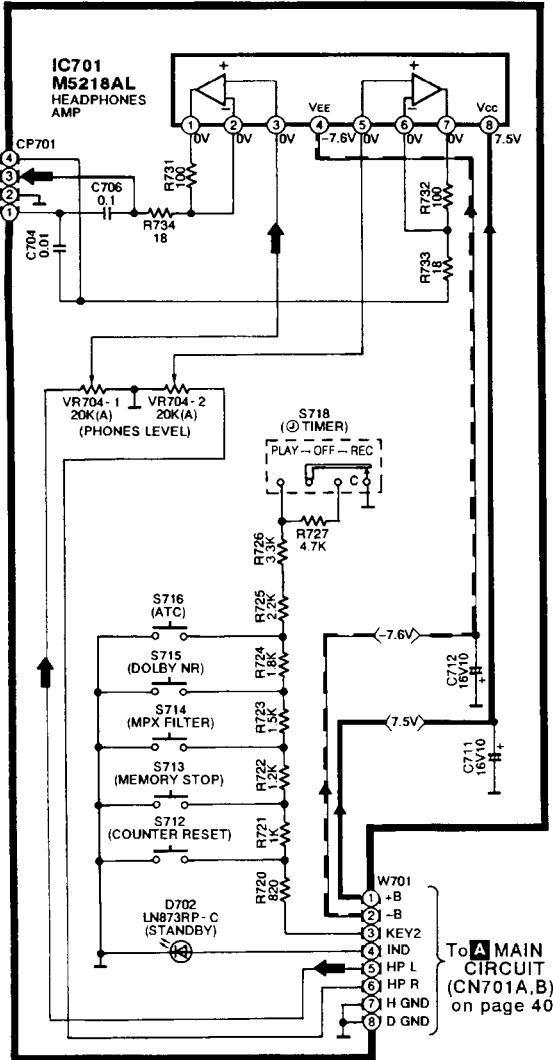
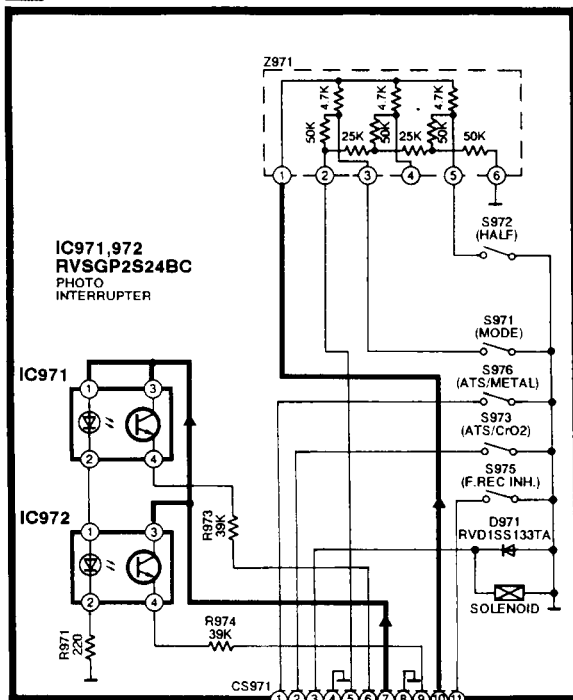


**F** OPERATION CIRCUIT (P.C.Board: on page 45)

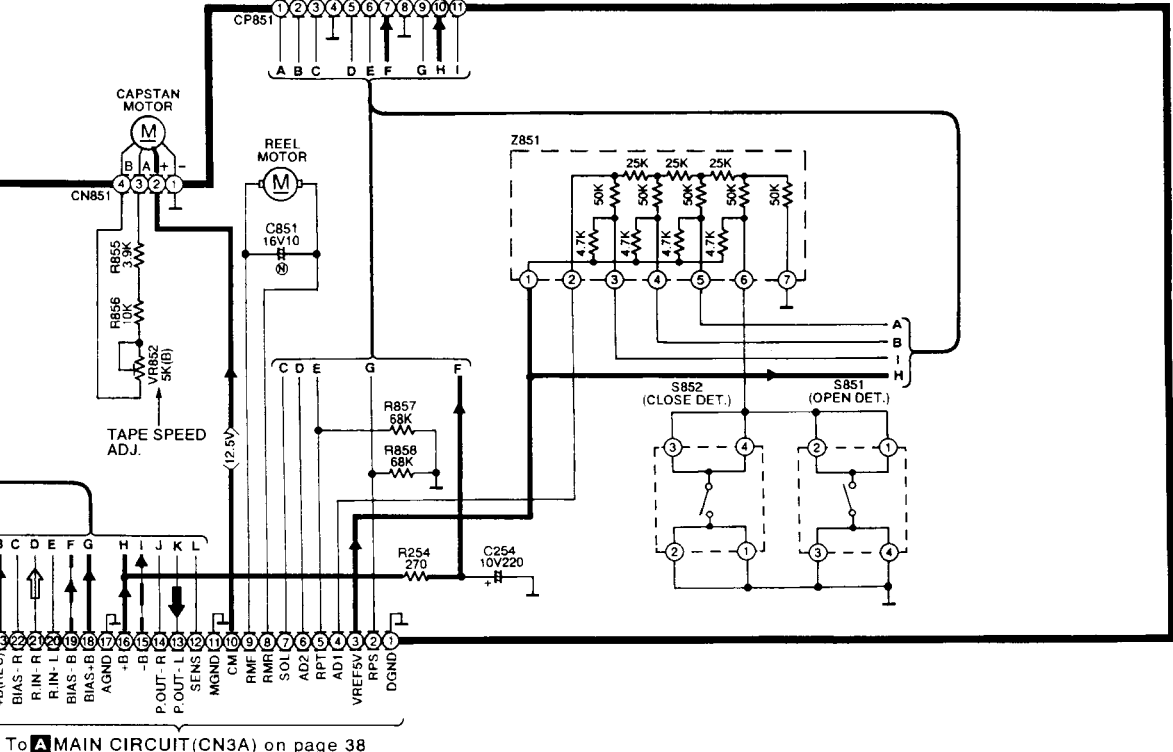
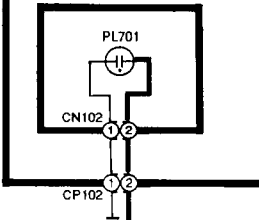
**E** HEADPHONES JACK CIRCUIT (P.C.Board: on page 45)



**D** MECHANISM CIRCUIT (P.C.Board: on page 44)



**G** LAMP CIRCUIT (P.C.Board: on page 45)



To **A** MAIN CIRCUIT (CN3A) on page 38



H FL CIRCUIT (P.C.Board: on page 45)

