

# TC-WR445

## SONY SERVICE MANUAL

*US Model*  
*Canadian Model*  
*AEP Model*  
*UK Model*  
*E Model*  
*Australian Model*

### SUPPLEMENT-1

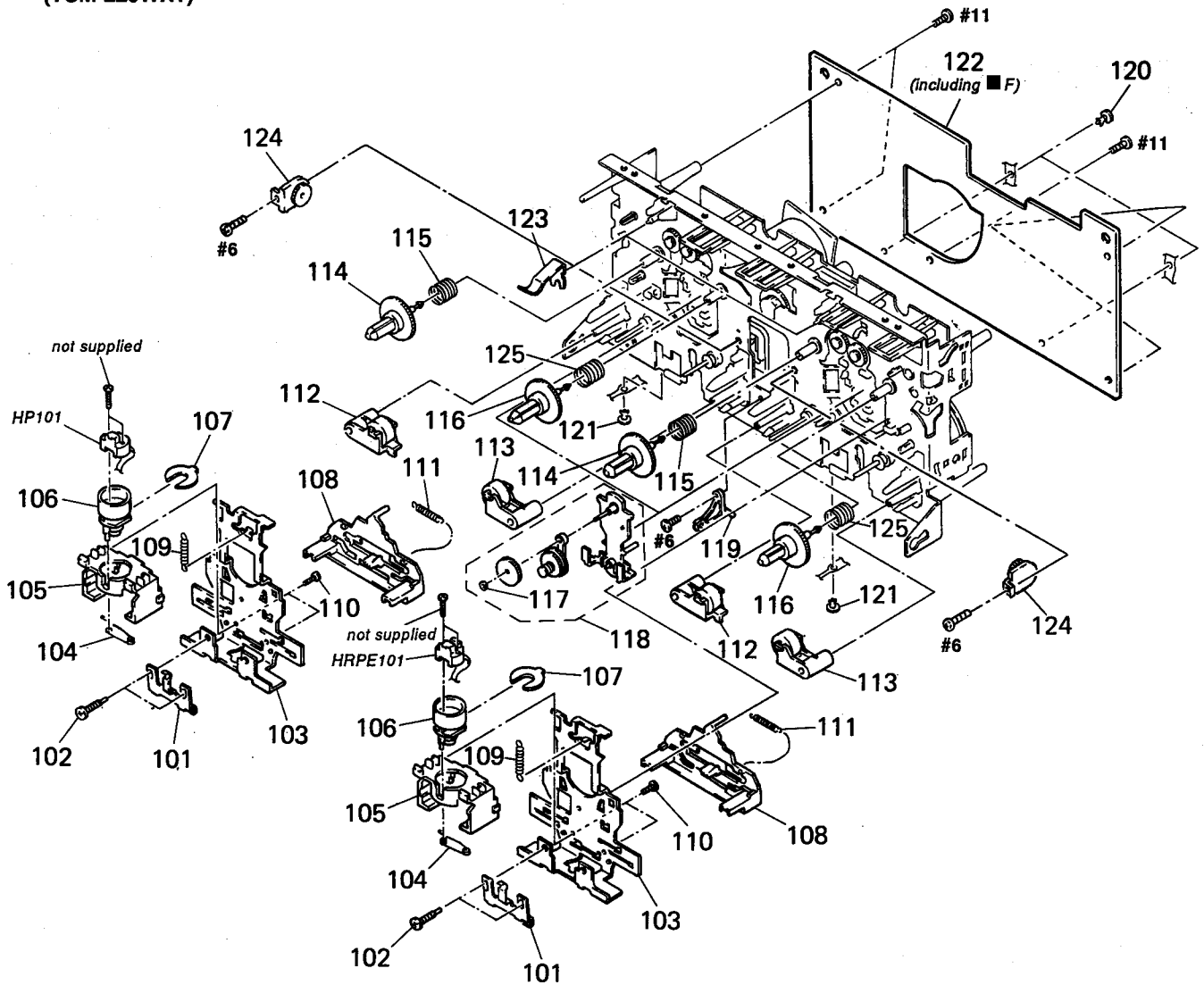
File this Supplement with the Service Manual.

**Subject : 1. EXPLODED VIEWS  
(MECHANISM SECTION)  
2. CORRECTION**

● CORRECTION (Service Manual See page 37)

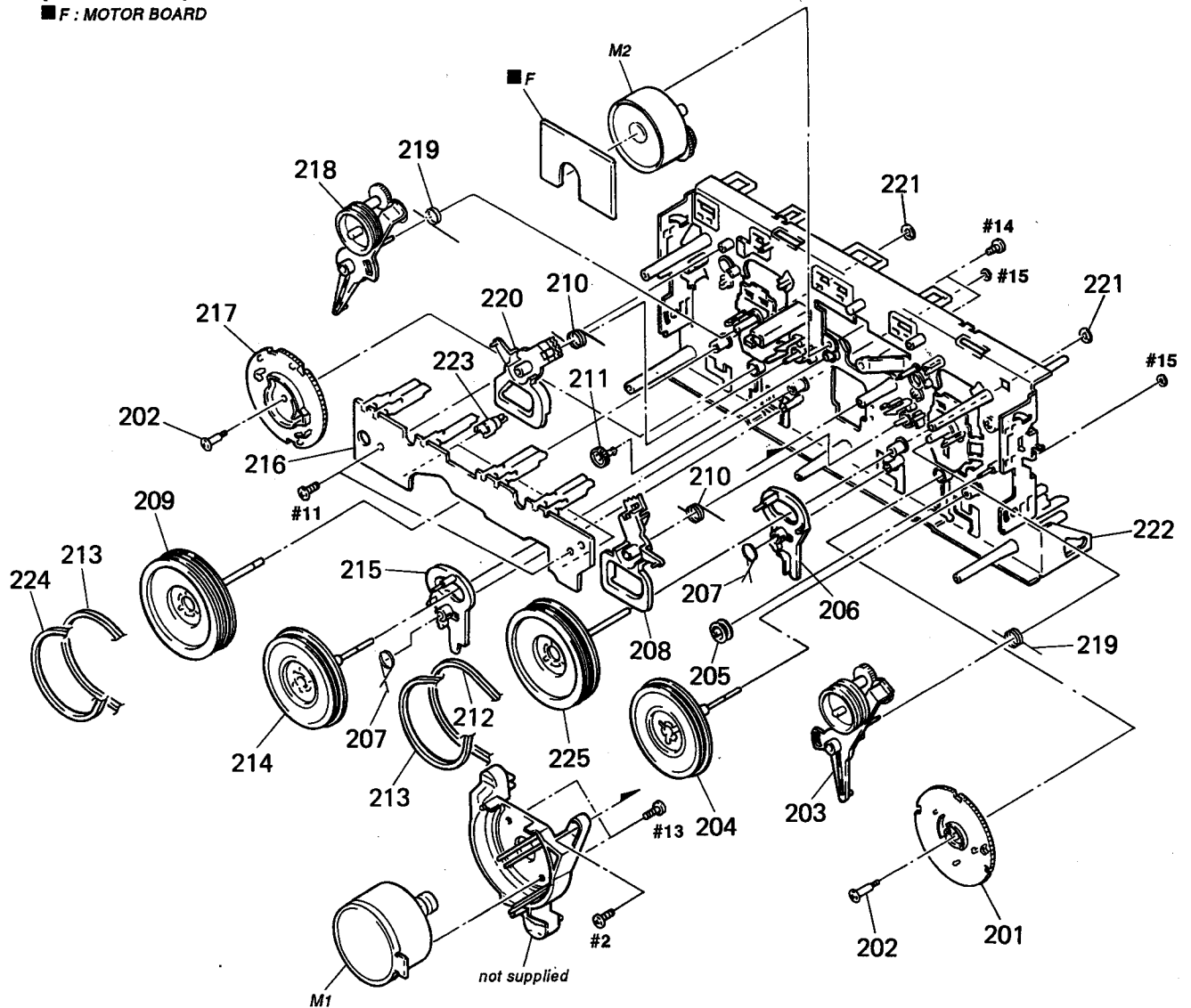
Ref. No.	Former Parts Description (Parts No.)	Parts No.	New Parts Description	Remarks
ACC	3-758-424-61 MANUAL, INSTRUCTION (ENGLISH/ RUSSIAN/POLISH/CZECH/ HUNGARIAN) (EE)	3-758-424-61	MANUAL, INSTRUCTION (ENGLISH/RUSSIAN/ POLISH) (EE)	Corrected
		3-758-424-81	MANUAL, INSTRUCTION (CZECH/HUNGARIAN) (EE)	Added

**6-3. MECHANISM SECTION 1  
(TCM-220WR1)**



Ref. No.	Part No.	Description	Remark	Ref. No.	Part No.	Description	Remark
101	3-908-560-01	SPRING, AZIMUTH ADJUSTMENT		115	3-917-141-01	SPRING, COMPRESSION	
102	3-908-561-01	SCREW		116	X-3367-594-1	REEL (T) ASSY	
* 103	X-3367-584-1	SLIDER (HEAD) ASSY		117	3-669-465-00	WASHER (1.5), STOPPER	
104	3-908-556-01	SPRING, HEAD TOGGLE		118	X-3369-315-1	TU ASSY	
105	3-908-558-01	FITTING BLOCK, HEAD		* 119	3-908-611-01	FULCRUM, HOLDER	
106	3-908-557-01	ROTARY BLOCK, HEAD		120	3-911-116-11	RIVET, PUSH	
* 107	3-908-559-01	STOPPER, AZIMUTH		121	3-911-116-21	RIVET, PUSH	
108	3-908-555-01	SLIDER (REV SLIDER)		* 122	A-2007-129-A	AUDIO BOARD, COMPLETE	
109	3-917-143-01	SPRING, TENSION		123	3-915-490-01	DETENT, HALF	
110	3-388-848-01	SCREW (P2X6) (B TIGHT)		124	3-354-963-01	DAMPER	
111	3-911-113-01	SPRING, TENSION		125	3-917-142-01	SPRING, COMPRESSION	
112	X-3367-589-1	PINCH LEVER (REV) ASSY		HP101	1-500-093-11	HEAD, MAGNETIC (PLAYBACK) (DECK-A)	
113	X-3367-588-1	PINCH LEVER (FWD) ASSY		HRPE101	1-500-094-11	HEAD, MAGNETIC (REC/PB/ERASE) (DECK-B)	
114	3-908-613-01	GEAR (S), REEL					

**6-4. MECHANISM SECTION 2**  
**(TCM-220WR1)**  
**■ F : MOTOR BOARD**



Ref. No.	Part No.	Description	Remark	Ref. No.	Part No.	Description	Remark
201	3-908-597-01	CAM (A)		215	3-908-600-01	LEVER (REV-B)	
202	3-908-608-01	SCREW, STEP		* 216	1-650-669-11	LEAF SW BOARD	
203	X-3367-590-2	ARM (A) ASSY, FR		217	3-908-598-01	CAM (B)	
204	X-3367-586-1	FLYWHEEL (AR) ASSY		218	X-3367-591-2	ARM (B) ASSY, FR	
205	3-908-610-01	PULLEY, TENSION		219	3-911-114-01	SPRING (FR), TORSION	
206	3-908-599-01	LEVER (REV-A)		220	3-908-604-01	LEVER (TRIGGER B)	
207	3-908-601-01	SPRING (REV LEVER), TORSION		221	3-911-115-01	WASHER, STOPPER	
208	3-908-603-01	LEVER (TRIGGER A)		222	X-3367-587-1	CHASSIS ASSY, MECHANICAL	
209	X-3367-593-1	FLYWHEEL (BF) ASSY		* 223	3-381-776-01	HOLDER (LED)	
210	3-908-605-01	SPRING (TRIGGER), TORSION		224	3-917-176-01	BELT (B)	
211	3-908-609-01	GEAR, TRIGGER		225	X-3368-837-1	FLYWHEEL (AF) ASSY	
212	3-913-845-01	BELT (A)		M1	X-3369-110-1	MOTOR ASSY (CAPSTAN)	
213	3-913-846-01	BELT (FR)		M2	X-3369-111-1	MOTOR ASSY (TRIGGER)	
214	X-3367-595-1	FLYWHEEL (BR) ASSY					