

TANDBERG® TCP 3015A

Operating Instructions



For your safety!

To prevent electrical shock or fire, do not expose electronic products to rain or moisture and do not remove covers (or back). If anything fails, leave the repairs to a qualified technician.

Pull out the power plug during thunder storms and when you are away for a long time (e.g. holidays, etc.).

Contents

	Page
Taking out the transport screws	3
Line voltage — Fuses	3
Placing the Compact Disc Player	4
Connections	4
Mains switch	5
Loading a disc	5
Playing	6
Selecting another track	6
Pause	6
Stop	6
Search	7
Time/Track	7
Repeat	7
Programming	8
Rapid programming	8
Track and index (disc with index)	9
Remote Control Operation	9
Maintenance	10
Operator's trouble shooting guide	10
Accessories (extras)	11
Technical Data	11

We congratulate you on your choice of the Tandberg Compact Disc Player TCP 3015A, one of the most sophisticated CD Players on the international market.

The TCP 3015A is specially designed for use with Tandberg Series 3000 components, but is also fully compatible with any other HiFi-system. We trust that your newly acquired CD Player will give you much pleasure in years to come.

Taking out the transport screws

On the bottom of the TCP 3015A you will locate two screws fitted in collars which are indicated by arrows. These screws lock and protect the player mechanism and the disc tray during transport.

Remove the screws and collars and keep them in a safe place. If you later on want to transport your CD Player, we recommend you to lock the mechanism and disc tray by replacing the collars and screws to avoid damage.

Line voltage — Fuses

Check that the voltage selector is set to the correct position. (For USA and Canada the equipment is set to 115 V).

230 V, 50 Hz:

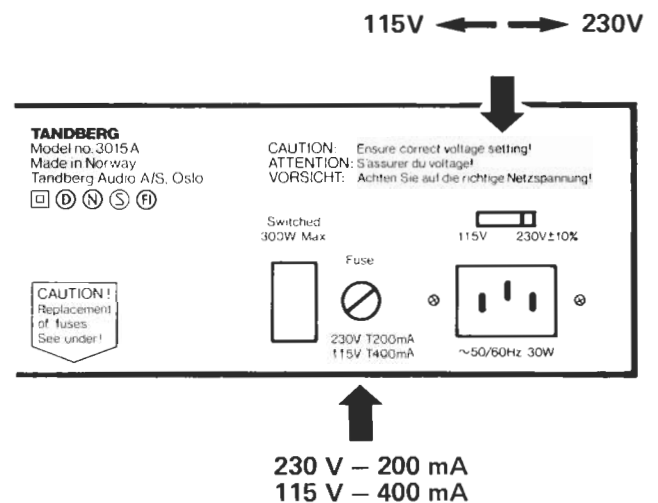
When the deck is set to 230 V position, it should be fitted with a 200 mA fuse. On this setting any line voltage between 207 V and 253 V can be used.

115 V, 60 Hz:

In 115 V position the equipment should be fitted with a 400 mA fuse. On the 115 V setting any line voltage between 103 V and 127 V can be used.

Fuses:

230 V, 50 Hz: 200 mA, slow blow, 5 x 20 mm.
115 V, 60 Hz: 400 mA, slow blow, 5 x 20 mm.

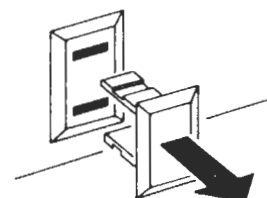
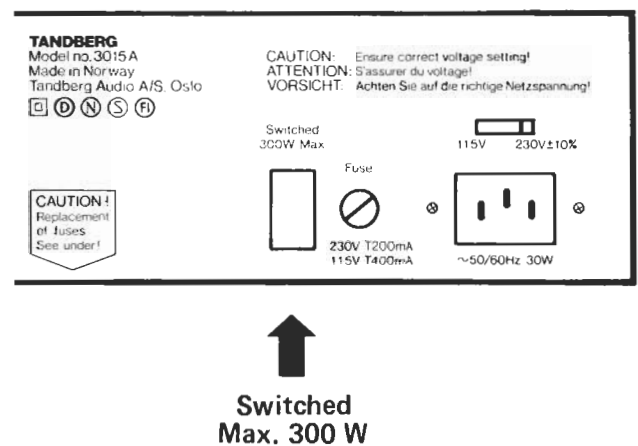


Outlet for extra equipment

The socket for extra equipment is only permitted in the USA.

The socket marked Switched 300 W Max. is controlled by the Power switch on the equipment, and is designed for connecting other extra equipment, with a maximum total consumption of 300 watt.

— Remove the blind plug with a screwdriver.



Placing the Compact Disc Player

- When placing the CD Player on a shelf always be sure that sufficient ventilation is available, minimum 3 cm clearance above the player.
- When stacking an audio system, the CD Player should under no circumstances be placed directly above the power amplifier.

- Do not place the CD Player in direct sunlight or near any heat sources.

NOTE! Do not lay audio or video cassettes near the CD Player because the magnetic field may damage the cassettes.

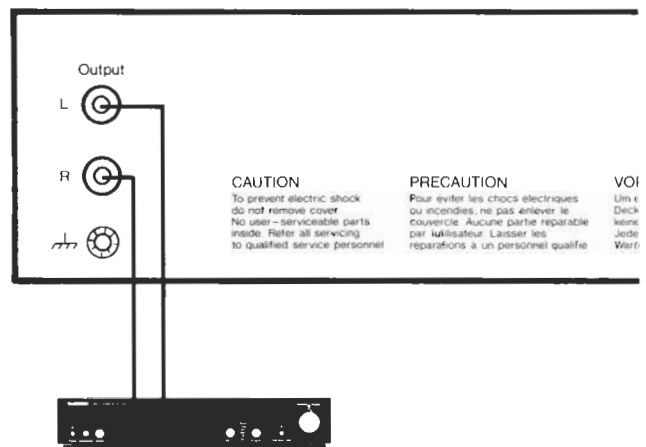
Connections

For best performance use Tandberg Audio's High Resolution phono cables for interconnection (in- and outputs) between the TCP 3015A and the external equipment.

Outputs

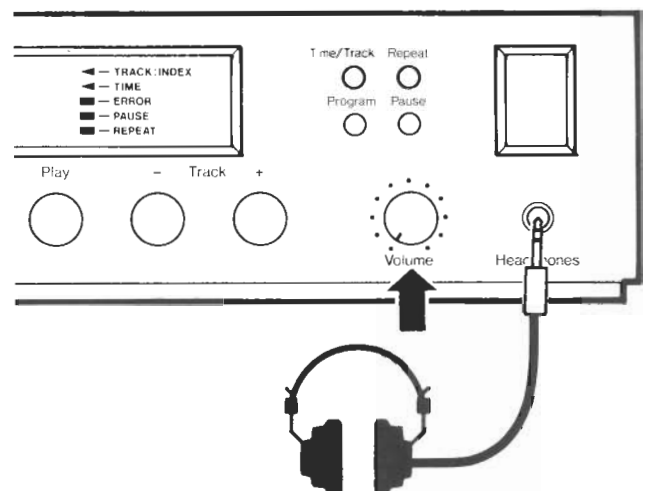
NOTE! Do not ever connect the CD Player to the PHONO inputs on your receiver/control amplifier.

Connect two phono leads from the sockets marked Output L and R on the CD Player to the sockets marked DD input on the receiver/control amplifier. If the receiver/control amplifier does not have DD inputs (or they are already in use) use the AUX or TAPE inputs.



Headphones

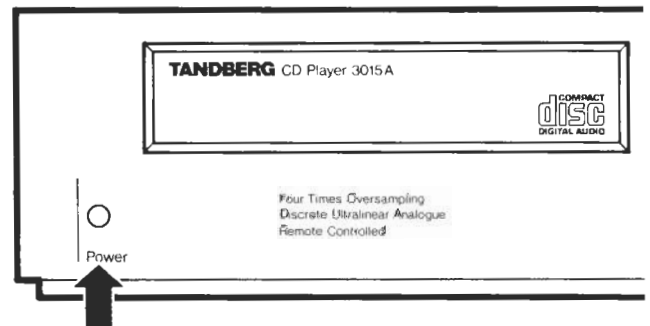
- Connect stereo headphones with a 1/4" stereo jack to the socket marked Headphones.
- Adjust the volume in the headphones with the knob marked Volume.
- The Volume knob only controls the level in the headphones.



Headphone
impedance
4 – 2000 ohm

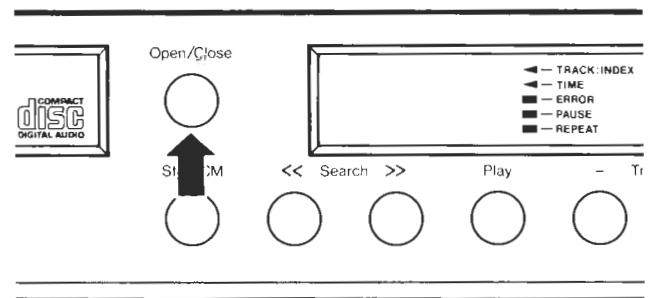
Mains switch

- Check that the equipment is connected to the correct line voltage (voltage notice on back).
- Check that the correct fuse is fitted.
- Plug in the mains lead.
- Press in the Power switch and two bars (— —) and the TRACK:INDEX will light in the display.



Loading a disc

- To open the disc tray press the Open/Close button and the tray slides out automatically after about 1 second.
- If the tray does not move out after pressing Open/Close, the transport screws have not been removed (see page 3).
- Take the disc out of the cover and fit the disc onto the tray with the label side **UP!**
- To close the tray press the Open/Close button, or to go directly into play press the Play button.



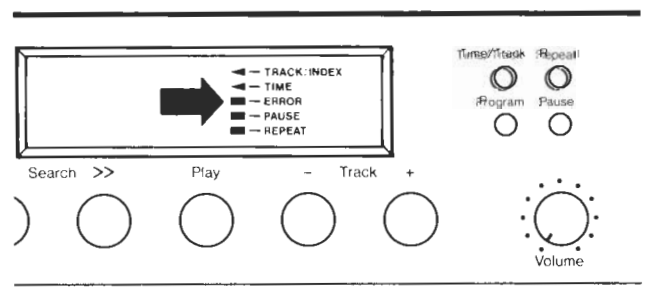
NOTE! Do not try to push the tray in by hand.

- The disc will now start rotating and the two bars will start flashing. After a short time the display will show the number of tracks on the disc.

ERROR when loading a disc

- If the ERROR lights for approx. 2 seconds after the tray is closed, you have placed the disc upside down.
- The ERROR will also light when there is no disc or that the disc is dirty, badly scratched or otherwise unacceptable.

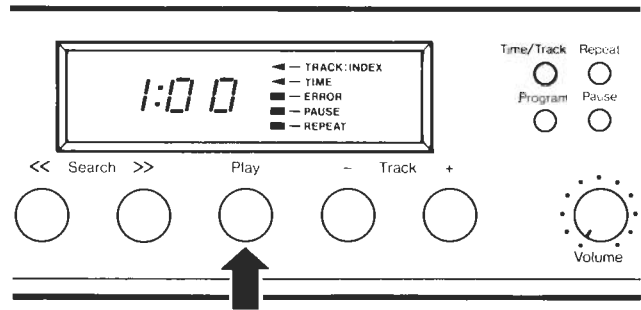
See Maintenance, page 10.



Playing

To start playing the disc, press the PLAY button and the display will show 1 (track 1).

You can go back to the beginning of the track being played by pressing the Play button.



Selecting another track

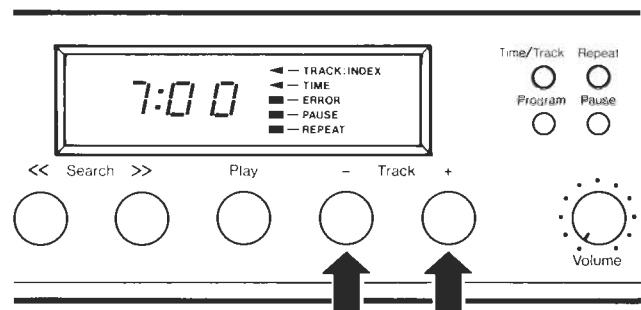
Any time during play you can select another track by pressing one of the Track – or Track + buttons.

If you e.g. want to listen to track 7, press the Track + or the Track – button (or hold the buttons depressed), one or several times until the display shows the wanted track number (7). After a 2-second-delay, play is interrupted and the CD Player will start searching for the wanted track and then play it. The display will now show 7.00 (track number).

You can also select another track in stop mode and then press the Play button.

ERROR during selecting a track

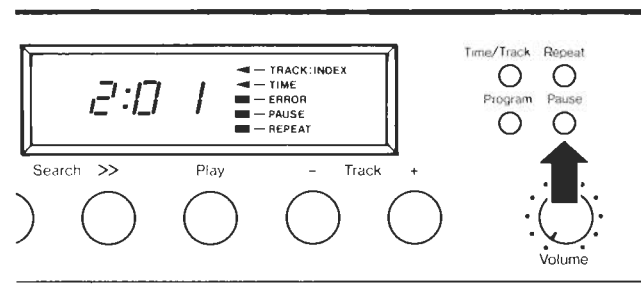
The ERROR will light if you press the Track – button while you are playing track 1 or pressing Track + button while playing the last track.



Pause

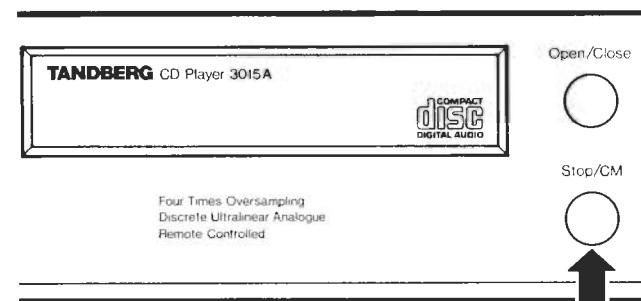
To interrupt playback, press the Pause button and the PAUSE LED indicator lights.

To restore playback, press the Pause button once more, or the Play button.



Stop

To stop the playback, press the Stop/CM button.



Search

During play you can locate a particular passage of a track by pressing the Search buttons.

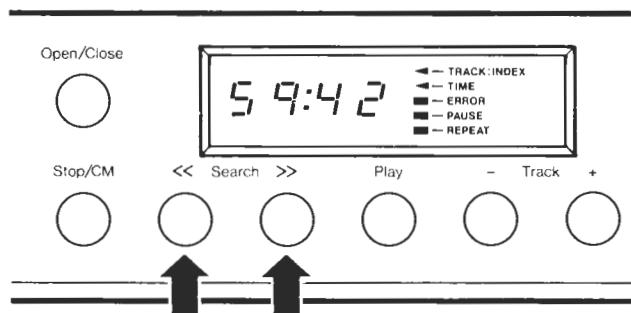
In search there are three different speeds. By holding one of the Search buttons depressed, the following will happen:

1. The first second the laser pick up moves relatively slowly with cueing.
2. Then the laser pick up moves faster, still with cueing.
3. After approx. 7 seconds you have maximum speed and no cueing.

ERROR during search

If you press Search << in the beginning of the disc, the ERROR lights. The CD player starts playing the first track.

If you press Search >> when at the end of the disc, the ERROR lights. The CD player will play the last seconds of the last track.

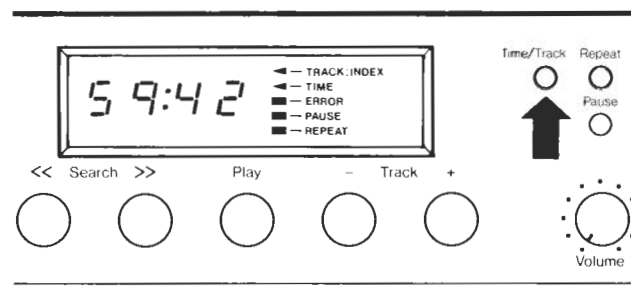


Time/Track

If you want to know the total playing time of the disc instead of the track numbers, press the Time/Track button. The TIME LED lights.

In stop the display shows the total playing time. In play it shows each track in minutes and seconds. Between each track, count down of the pause is shown in seconds (e.g. P:02, P:01).

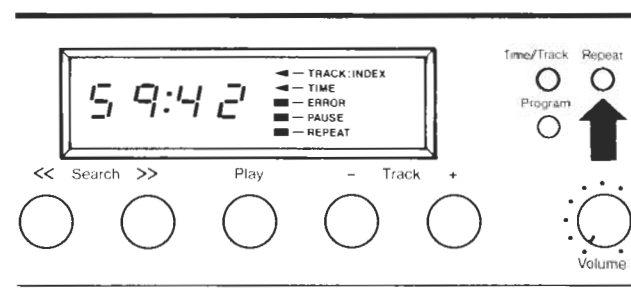
To restore TRACK:INDEX, press the Time/Track button once more. Time indication is also cancelled when the CD player is switched off.



Repeat

Press the Repeat button to repeat the entire disc or a program. The disc or the program will be repeated until you cancel the repeat mode.

The mode is cancelled when you press the Repeat button a second time, and when you press the Stop/CM or the Open/Close button.



Programming

Instead of playing the complete disc, you can program a number of tracks and play those. You can store a maximum of 20 tracks.

NOTE! You can only store each track once.

Turn on the Power, load a disc into the tray and close the tray with the Open/Close button.

The display now shows the total number of tracks.

Use the Track – or Track + button to select the first track you want to store and press the Program button while the “:” is flashing (approx. 5 seconds). A “P” appears on the display showing that this track is stored. Select the next track by pressing the Track – or Track + button and then the Program button. Continue in this manner until you have stored the desired number of tracks. Any time during programming you can check the sequence of the tracks by pressing the Program button a second time.

If you for some reason fail to press the Program button while the “:” is flashing, you can still store that track by doing as follows:

Press the Track – or Track + button to move one track number up or down, go back to the selected track and the Program button.

Press the Play button to play the program. If you press the Program button during play, the display will show which track you are playing and the remaining tracks of the program.

To go to another programmed track when in play, use the Track – or Track + button.

When the program is finished, the disc will stop unless you have pressed the Repeat button to repeat the program.

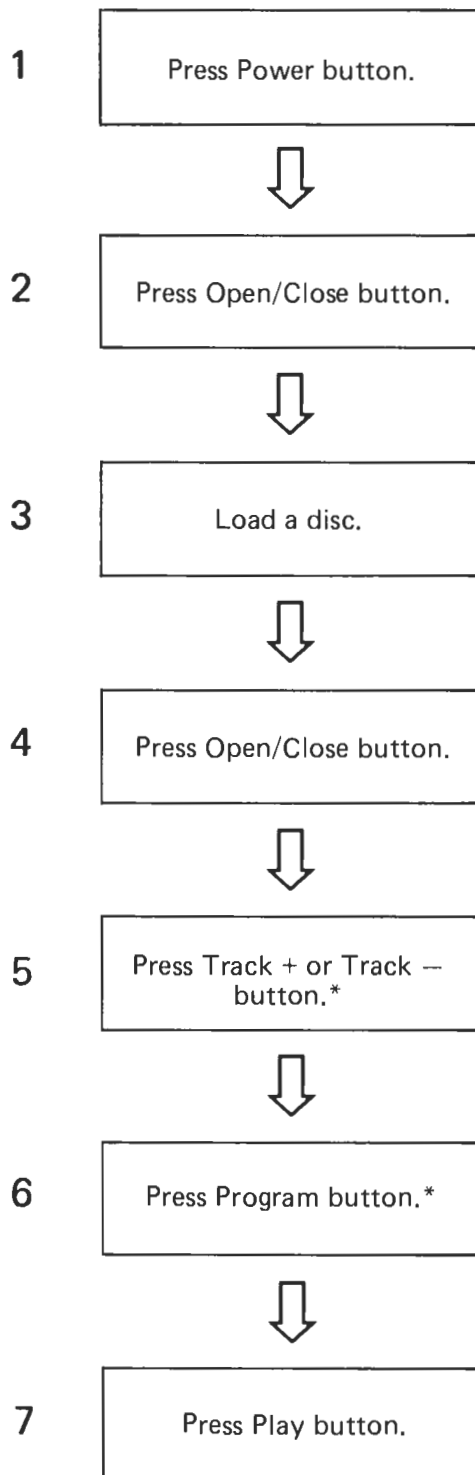
After the disc has stopped, the program can be repeated by pressing the Play button.

Press the Stop/CM button to clear the program. You will also clear the program when you press the Open/Close button.

Clearing a track during programming

If you should store a wrong track number during programming, use the Track – or Track + button to move one track number up or down and then go to the track number you want to erase. Press the Program button to clear the track. A “C” now appears on the display, meaning that this track is cleared from the program.

Rapid programming



* Repeat No. 5 and 6 to store the desired number of tracks.

Track and index (disc with index)

Some discs contain indexes. By pressing the Search + button while in play, the CD Player will in addition to start searching also count the index numbers of each track when TRACK:INDEX is displayed.

Index numbers can be selected in two ways: in play or in stop.

In play:

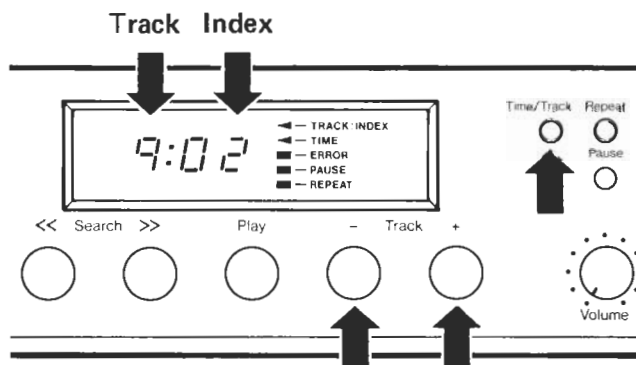
Press the Track - or Track + button to select track number. Then press the Time/Track button within 5 seconds. Select index number by pressing Track - or Track + button within the next 5 seconds. After a short pause the selected track and index number is played.

In stop:

Proceed as in play. When you have selected track and index number, press Play.

If you select a too high index number, the ERROR will light.

Index numbers cannot be programmed.



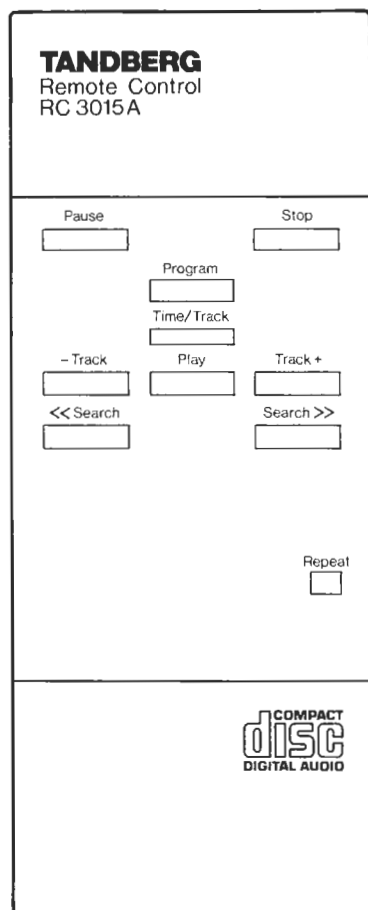
Remote Control Operation

The buttons on the Remote Control have the same functions as the buttons on the CD Player.

Make sure that the battery is correctly inserted.

NOTE! For longer periods of absence, we recommend to remove the battery. An exhausted battery should be removed **immediately**.

Point the remote control at the CD player during operation. Maximum operating range, 10 to 14 meters, is achieved when there is a clear line of sight between the remote control and the CD player.



Maintenance

Disc

When you remove the disc from the cover, always pick up the disc by the edge, and put it back into the cover immediately after use, cleaning will normally not be necessary.

Should fingerprints, dust or dirt appear, wipe it off with a soft lint-free cloth (you can breathe on the disc when cleaning). Wipe the disc in a straight line from centre to edge.

NOTE! Never use detergent, solvents or cleaning agents for conventional records as they may damage the disc.

Never write on the disc label, this can damage the music tracks.

Mechanism

The CD player mechanism has self-lubricating bearings and must not be lubricated.

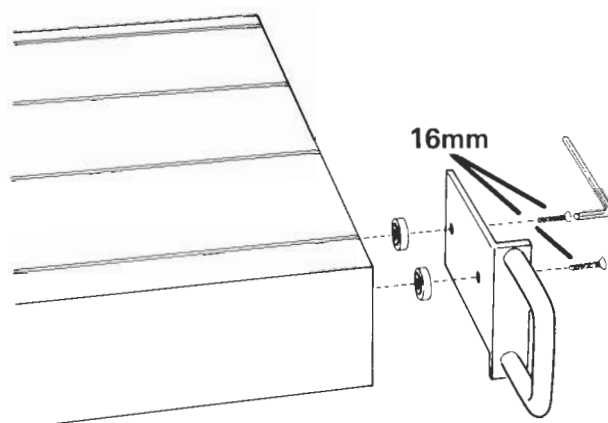
The disc tray should be kept free of dust.

Operator's trouble shooting guide

Trouble:	Possible cause:
No light in the display when switching on.	Power cable not connected, loose wire in the power plug.
The disc tray does not slide out when pressing Open/Close button.	The transport screws have not been removed, see page 3. Switch the CD player Off – On and then press the Open/Close once more (the micro-processor did not receive the command).
The ERROR lights for a few seconds after the tray is closed.	The disc is placed upside down. There is no disc in the tray. The disc is badly scratched, try another disc. The disc is dirty, clean the disc, see Maintenance.
Poor sound.	The CD player is connected to the wrong input on the receiver/control amplifier. Never use the PHONO input. The disc is dirty or badly scratched or improperly loaded. Try reloading, clean the disc or try another disc.
Programming is not working.	The disc is dirty or badly scratched. Try another disc. All 20 memory places are already occupied. This can be checked by pressing the Program button which then will display the tracks you have selected. Clear the program by pressing the Stop/CM button and re-start the programming.

Accessories (extras)

19"-rack mount kit

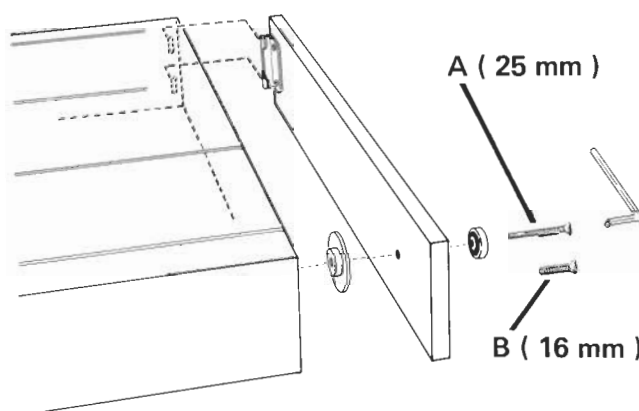


Side panels

NOTE!

When fitting extra side panels you must use the long screws (A) which are supplied.

Take care of the short screws (B) originally used to hold the side panels because you will need them if you remove the extra side panels. **The long screws must not be used without the extra side panels because they will cause damage inside the unit.**



Technical Data

Tandberg Compact Disc Player 3015A	Power requirements:	115/230 V \pm 10%, 50/60 Hz
	Power consumption:	30 W
	Safety requirements:	IEC
	Dimensions:	Width 17 1/8" (43.5 cm) Depth 13 3/4" (35.0 cm) Height 3 1/2" (8.9 cm) Weight 12.5 lbs (5.7 kg)
	Frequency range:	2 – 20,000 Hz, \pm 0.3 dB
	Dynamic range:	96 dB
	Signal-to-Noise ratio:	100 dB
	Channel separation:	94 dB (at 1000 Hz)
	Total harmonic distortion:	0.005% (at 1000 Hz)
	Wow and flutter:	Quartz crystal precision
	D/A conversion:	16 bit oversampling frequency 176,4 kHz with digital filter and two 16 bit D/A converters
	Error correction system:	Cross Interleaved Reed Solomon Code (CIRC)
	Audio output level:	2 V rms
Optical Readout System	Laser:	Semi-conductor AlGaAs
	Wave length:	800 nm
Signal Format:	Sampling frequency:	44.1 kHz
	Quantization:	16 bit linear/channel

Specifications are subject to change for further improvement without notice.

Tandberg Audio A.s

Fetveien 1, P.O. Box 49

N-2007 Kjeller, Norway

TANDBERG CD Player 3015A

COMPACT
disc
DIGITAL AUDIO



Power

Four Times Oversampling
Discrete Ultralinear Analogue
Remote Controlled