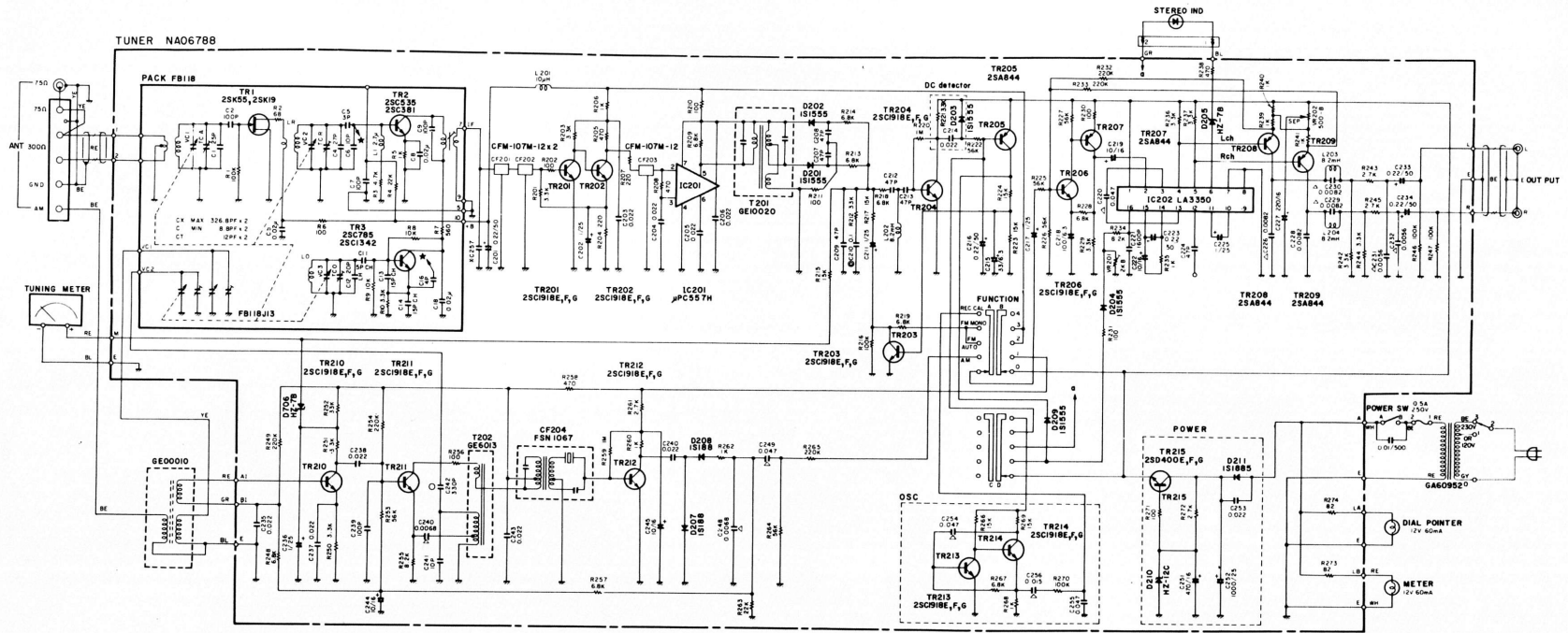


# CT-410

## SCHEMATIC CIRCUIT DIAGRAM



XC257-ADJ		FRONT END PACKAGE
GENERAL Model	C226, C228	FB118U4
Australian Models	0.018µF	
European Models	0.008µF	