

Main Circuit Board (1)

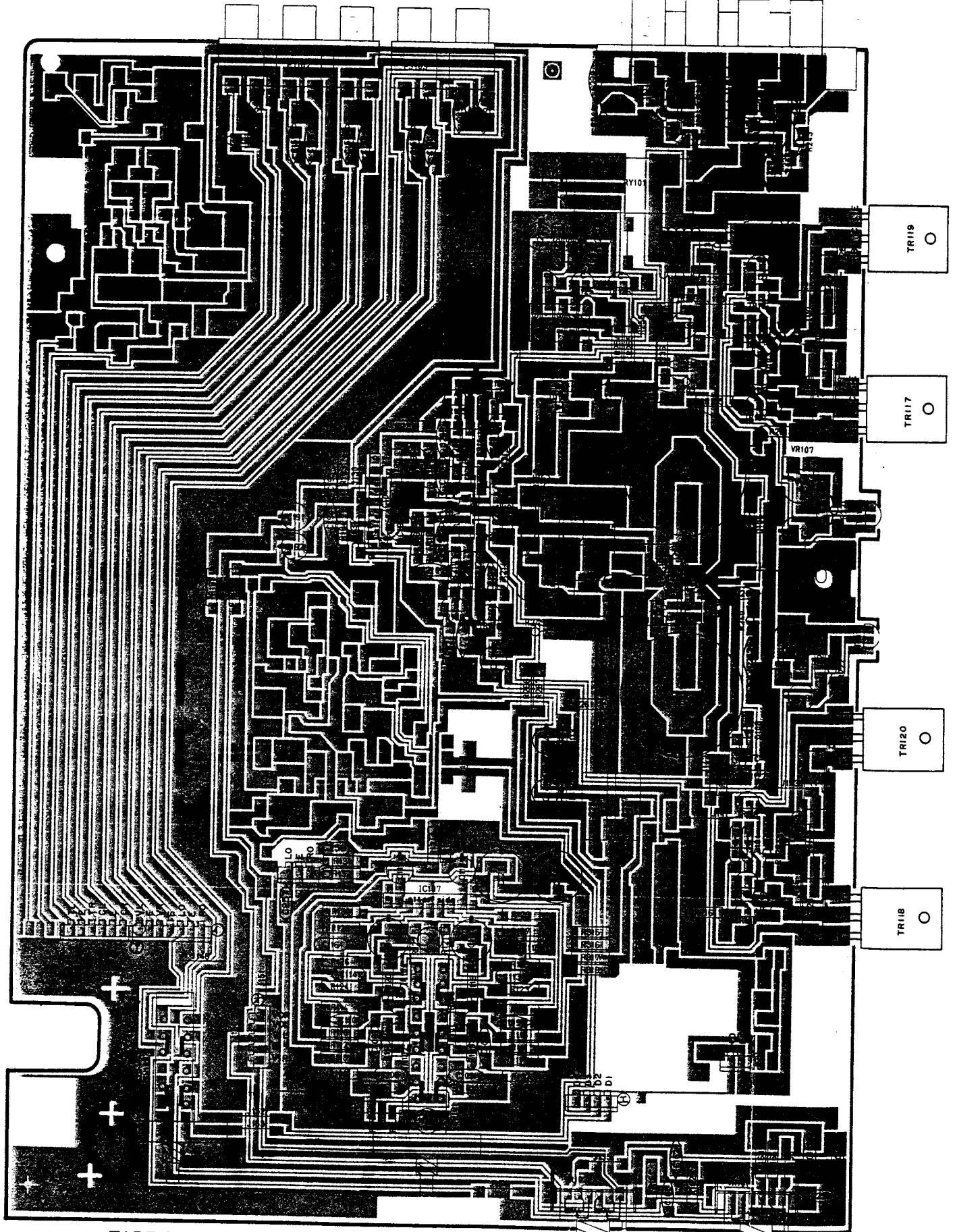
6V5

7h HXX

INPUT
TUNER CD VIDEO TAPE REC
/AUX PB OUT

SPEAKERS
R L

B OFF ON
A OFF ON



to MAIN

to MAIN (8)

TAPE MONITOR
ON/OFF

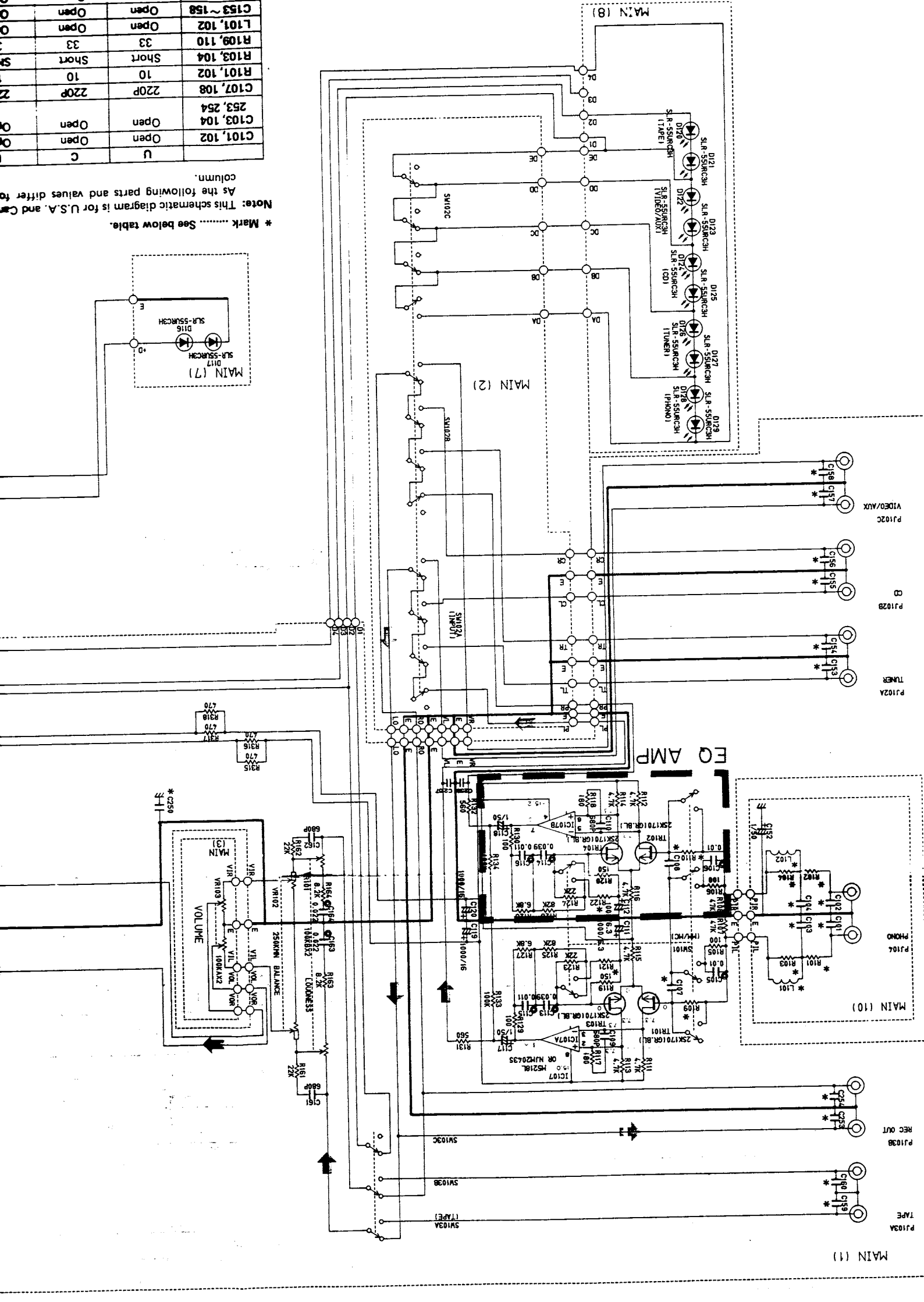
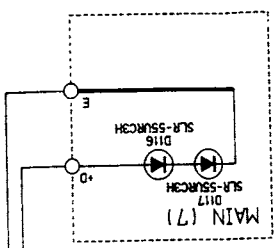
PHONO
■ MM
— MC

BALANCE

LOUDNESS

C153 ~158	U	C	Open	Open
L101, 102	Open	Open	Open	Open
R109, 110	33	33	Short	Short
R103, 104	Short	Short	Short	Short
R101, 102	10	10	Open	Open
C107, 108	220P	220P	Open	Open
Z53, Z54	Open	Open	Open	Open
C103, 104	Open	Open	Open	Open
C101, 102	Open	Open	Open	Open

* Mark See below table.
 As the following parts and values differ to U.S.A. and Canada.
 Note: This schematic diagram is for U.S.A. and Canada.



MAIN (1)

P103A
TAPES

P103B
REC OUT

P104
PHONO

P102A
TUNER

P102B
CD

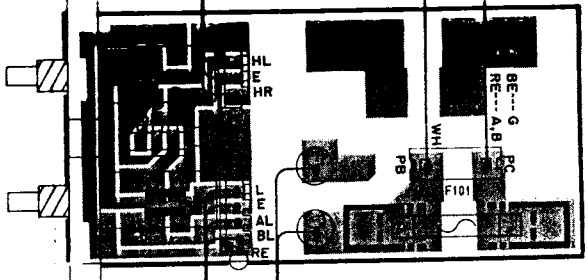
P102C
VIDEO/AUX

WIRING

Recruit Board (5)

A, G, B models

to POWER TRANSFORMER



to MAIN (1)

to MAIN (9)

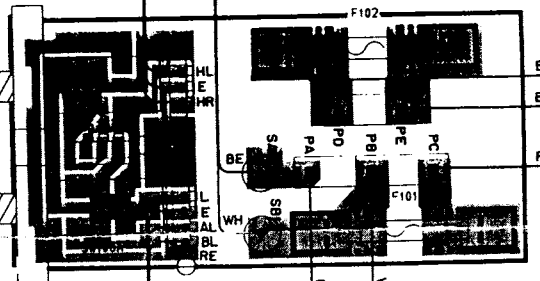
SPEAKERS
B OFF OFF
A ON ON

to MAIN (6)

to MAIN (9)

R model

to VOLTAGE SELECTOR



to MAIN (1)

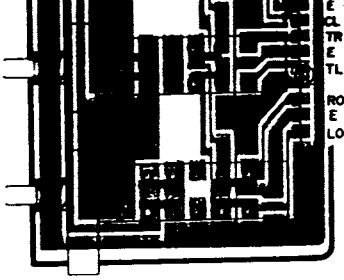
from AC OUTLOTS

SPEAKERS
B OFF OFF
A ON ON

from MAIN (1)

Main Circuit Board (10)

PHONO

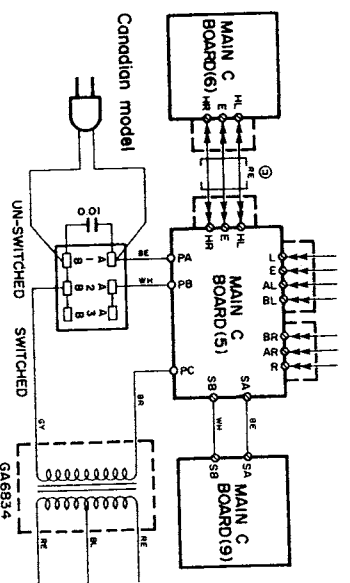
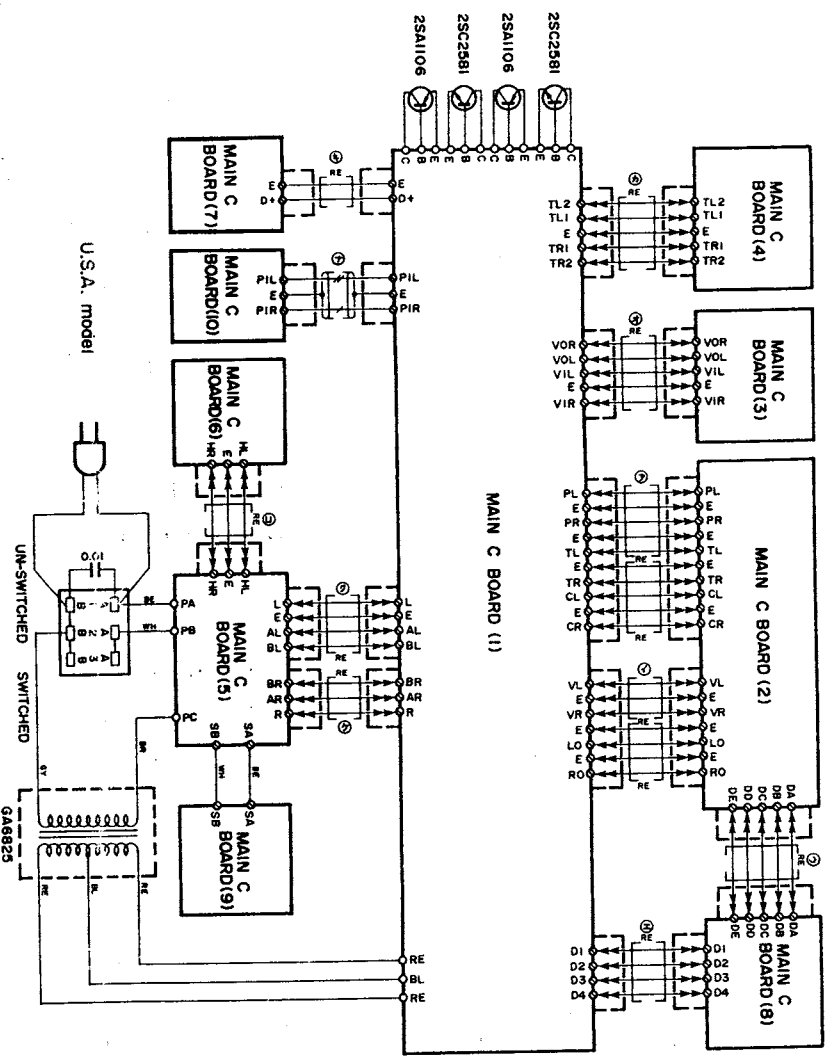


to MAIN (1)

to MAIN (1)

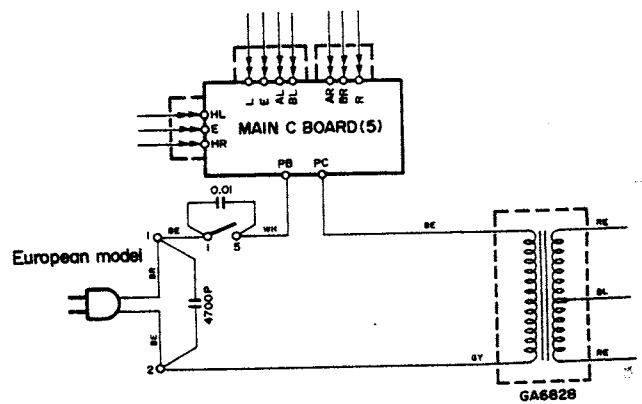
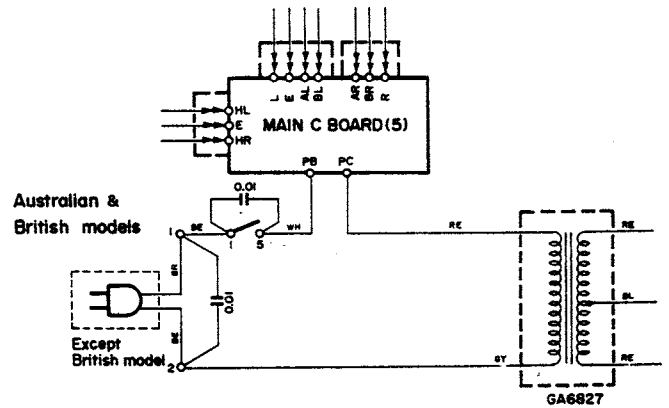
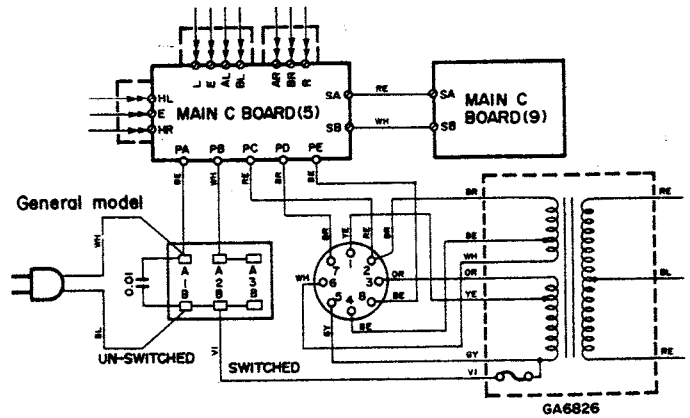
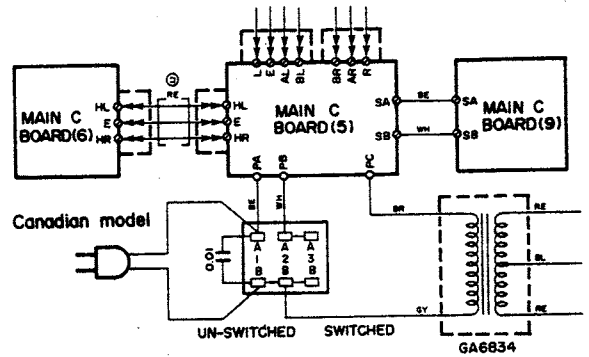
WIRE COLOR ABBREVIATIONS

- BL ▶ Black
- BR ▶ Brown
- RE ▶ Red
- OR ▶ Orange
- YE ▶ Yellow
- GR ▶ Green
- BE ▶ Blue
- VI ▶ Violet
- GY ▶ Gray
- WH ▶ White
- GG ▶ Light Green
- SB ▶ Light Blue
- PK ▶ Pink



• WIRE COLOR ABBREVIATIONS

- BL ▶ Black VI ▶ Violet
- BR ▶ Brown GY ▶ Gray
- RE ▶ Red WH ▶ White
- OR ▶ Orange GG ▶ Light Green
- YE ▶ Yellow SB ▶ Light Blue
- GR ▶ Green PK ▶ Pink
- BE ▶ Blue

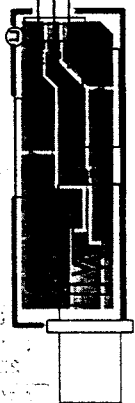


Board (10)

to MAIN (1)

Main Circuit Board (6)

MAIN (5)

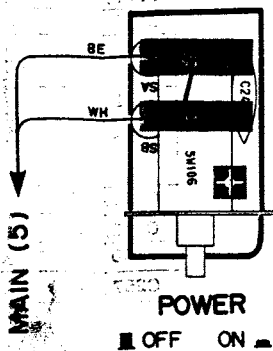


PHONES

VOLTAGE SELECTOR

Voltage	Terminal No.	Terminal No.
110V	5-4	2-1
120V	6-5	3-2
220V	7-1	8-4
240V	7-6	8-3

Main Circuit Board (9)
... R, U, C models only

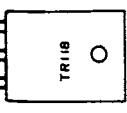
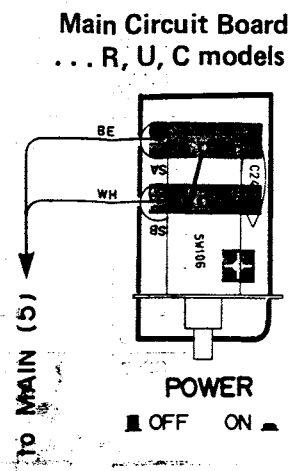
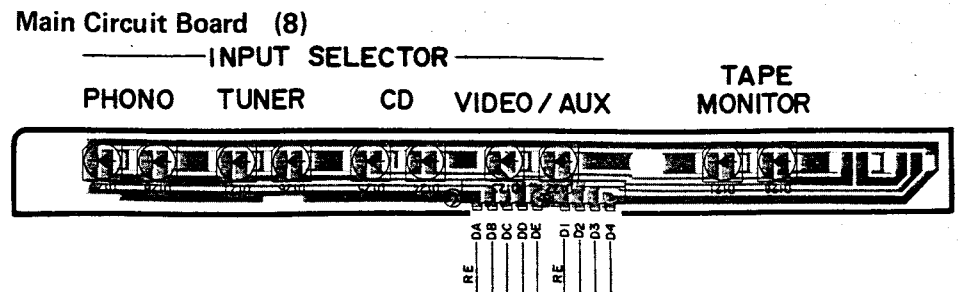
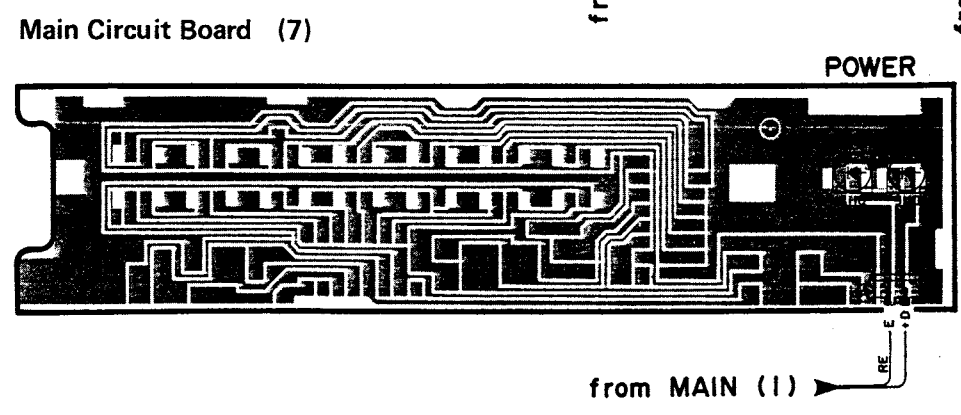
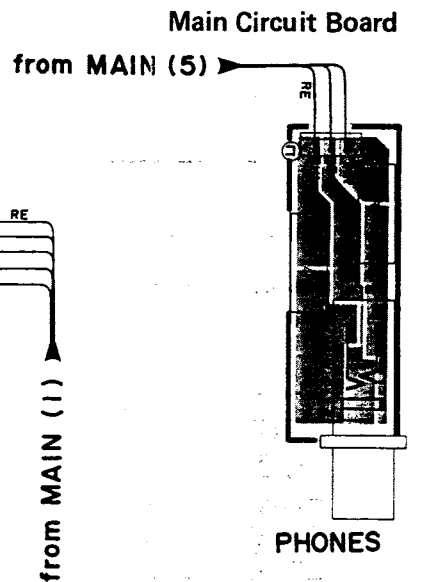
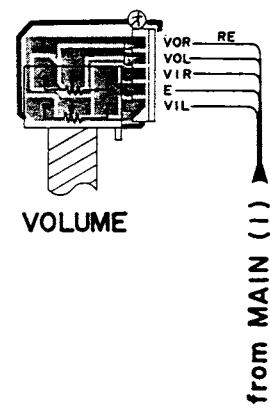
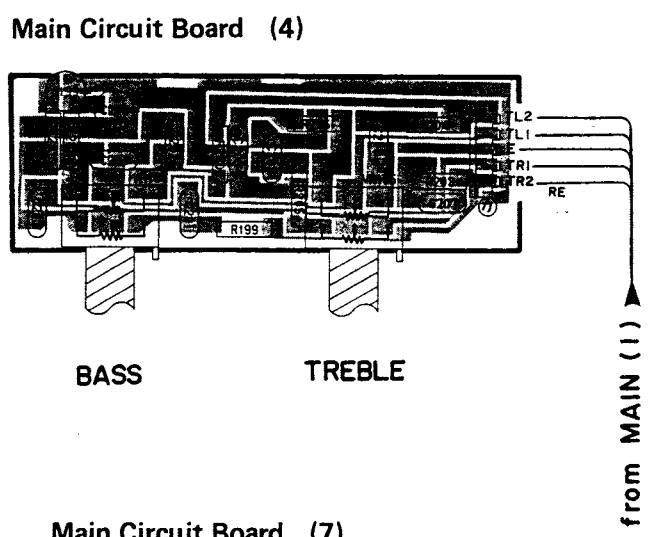
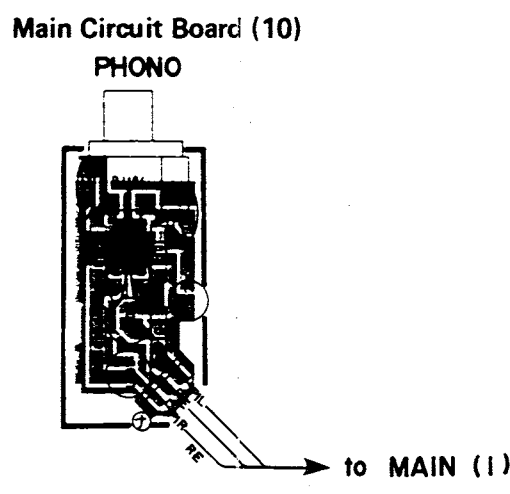
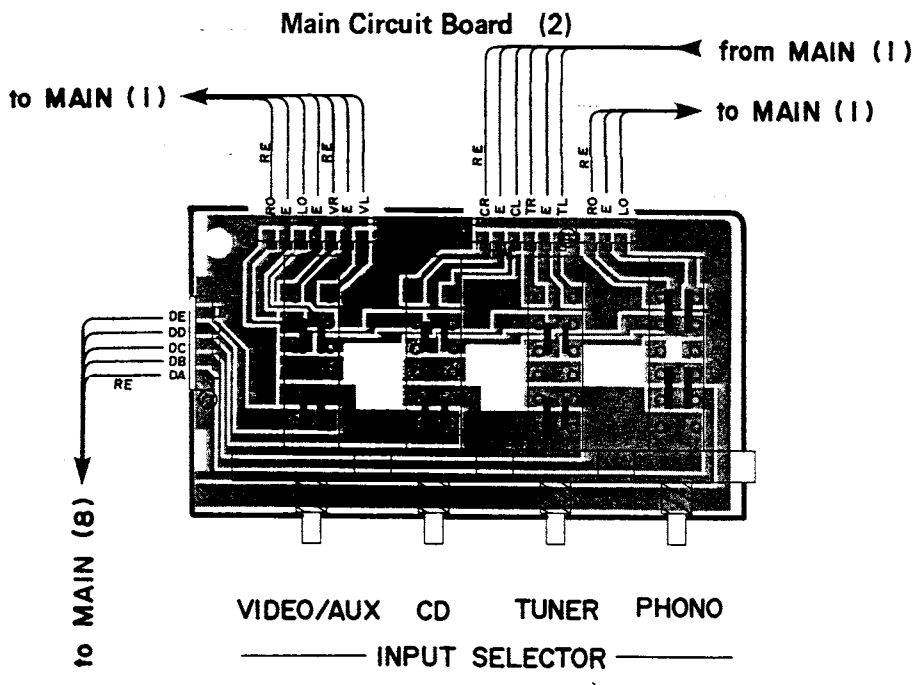
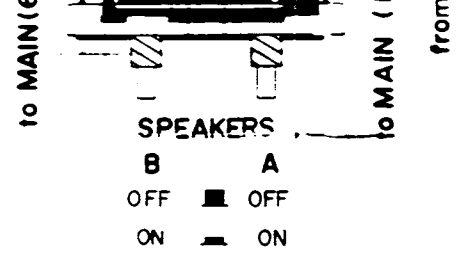
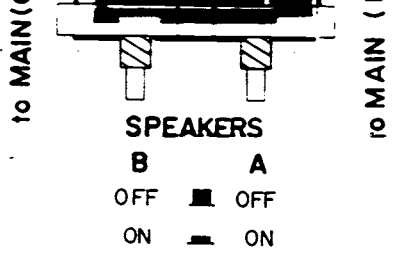
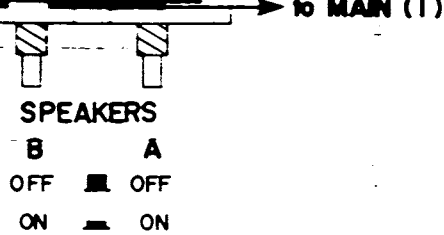


POWER

OFF ON

to MAIN (5)

PRINTED
BOARD
BY
ELECTRONIC



PRINTED CIRCUIT BOARD (Pattern side)

Note: As the following parts and values differ for model, please refer to the corresponding column.

文字面: Letter side

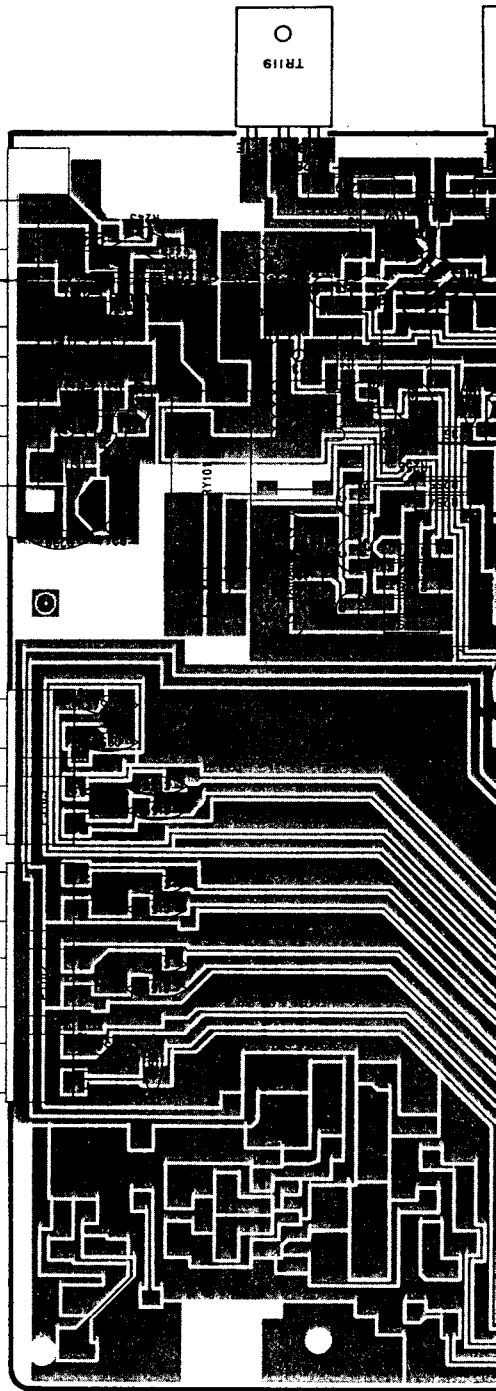
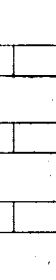
	U	C	R	A, B	G
C101, 102	Open	Open	Open	Open	100P
C103, 104 253, 254	Open	Open	Open	Open	270P
C107, 108	220P	220P	220P	220P	150P
R101, 102	10	10	10	10	33
R103, 104	Short	Short	Short	Short	560
R109, 110	33	33	33	33	2.2k
L101, 102	Open	Open	Open	Open	15μH
C153 ~ 158	Open	Open	Open	Open	220P
C221 ~ 224	Open	Open	Open	Open	4700P
C225 ~ 230	Open	Open	Open	Open	0.022
R243, 244	Open	Open	Open	Open	4.7
C235, 236	Open	Open	Open	Open	Ⓟ 0.047/100
C237	0.01/500	0.01/500	0.01/500	0.01/500	Open
Main (9)	Set	Set	Set	Non Set	Non Set
F101	5.0A 250V	5.0A 250V	T5.0A 250V	T2.0A 250V	T2.0A 250V
F102	Open	Open	T2.5A 250V	Open	Open
D111	4D4B41, RB402 or S4VB20	RB402	4D4B41, RB402 or S4VB20	4D4B41, RB402 or S4VB20	4D4B41, RB402 or S4VB20
R121, 122	10	10	10	10	8.2
C159, 160	Open	Open	Open	Open	560P
C250	Open	Open	Open	Open	3300P
C257, 258	Open	Open	Open	Open	Ⓟ 3300P

Main Circuit Board (1)

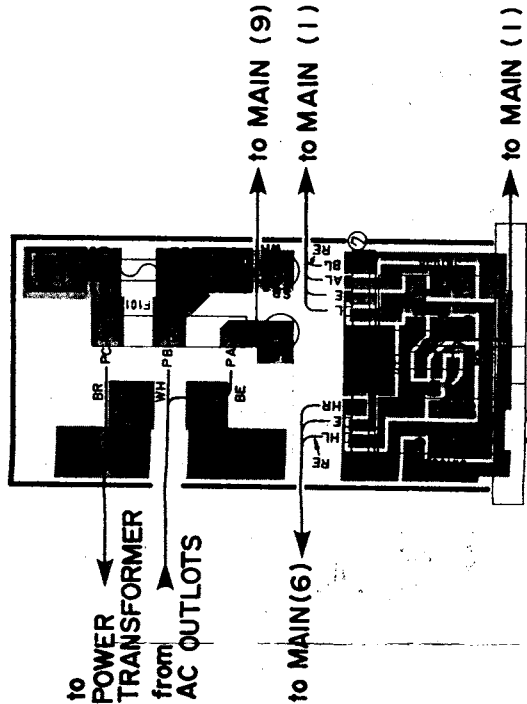
bys

INPUT
TUNER CD VIDEO TAPE REC
/AUX PB OUT

SPEAKERS
R L



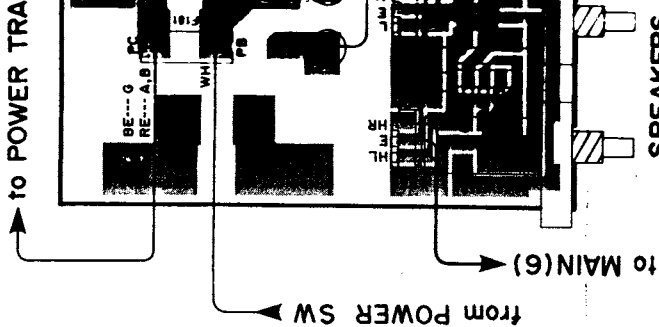
U, C models



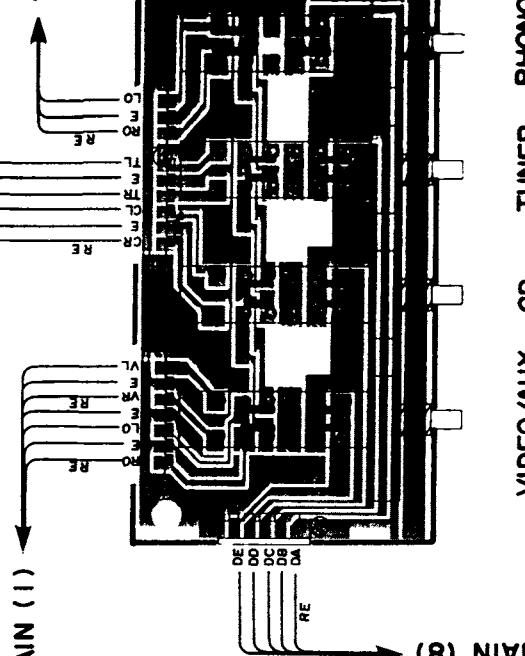
SPEAKERS
B A
OFF ON
OFF ON

7hXX

Main Circuit Board (5)
A, G, B models



Main Circuit Board (2)



MAIN (8)